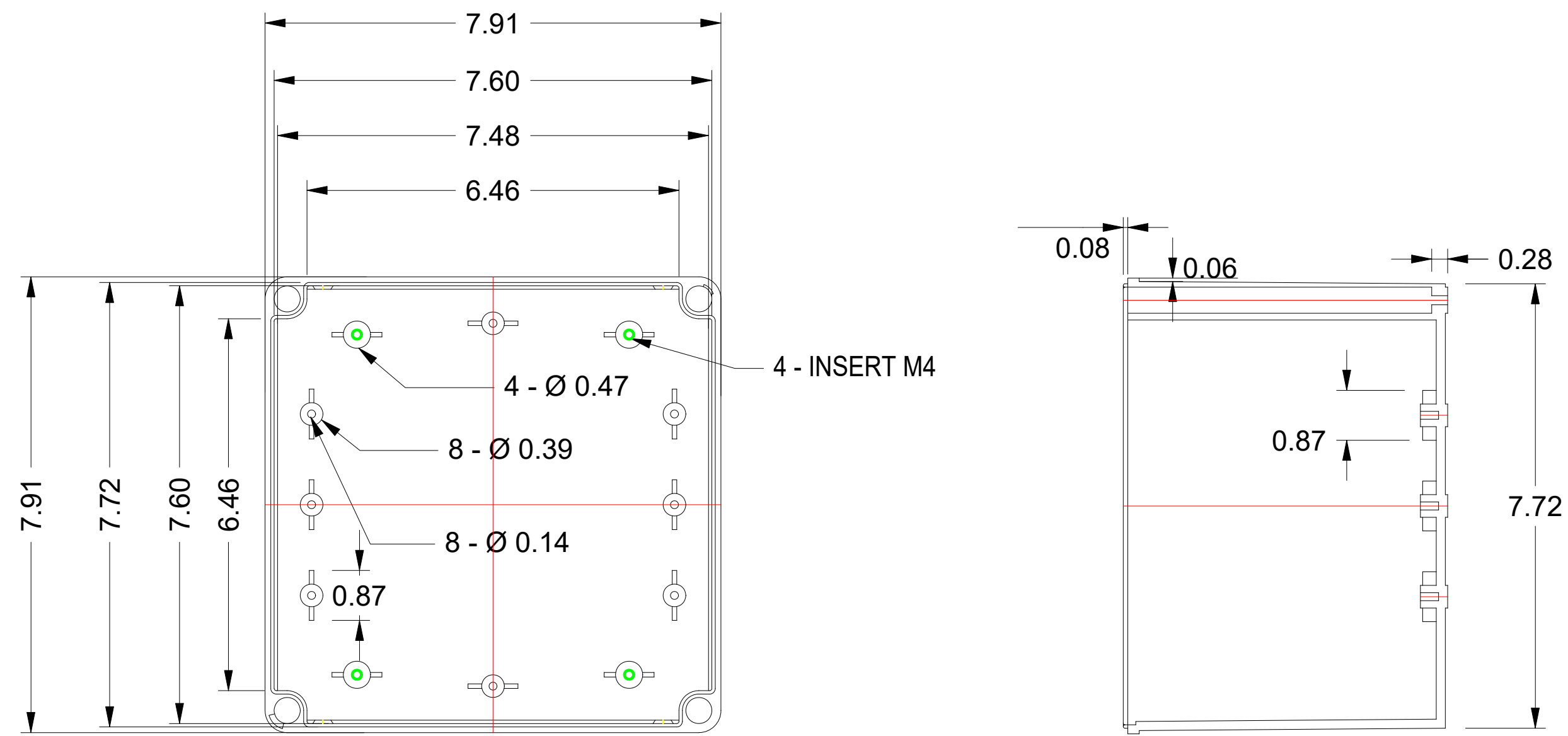
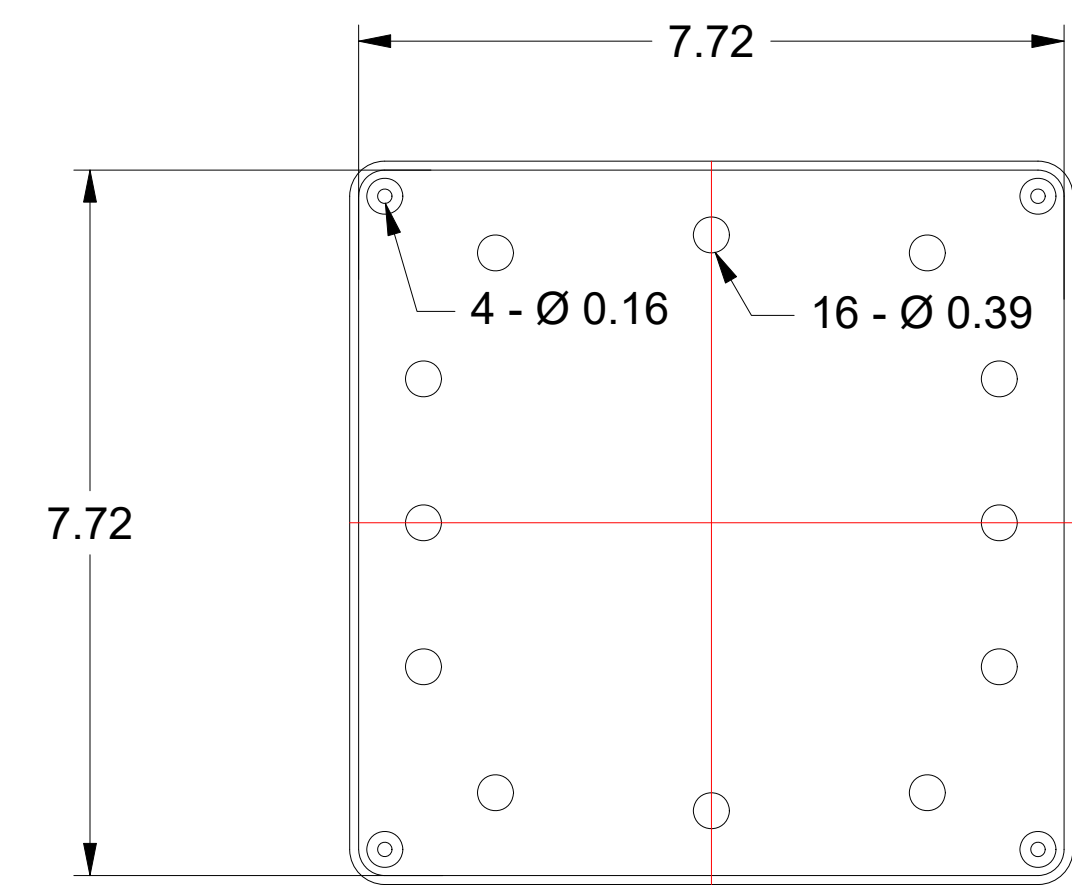
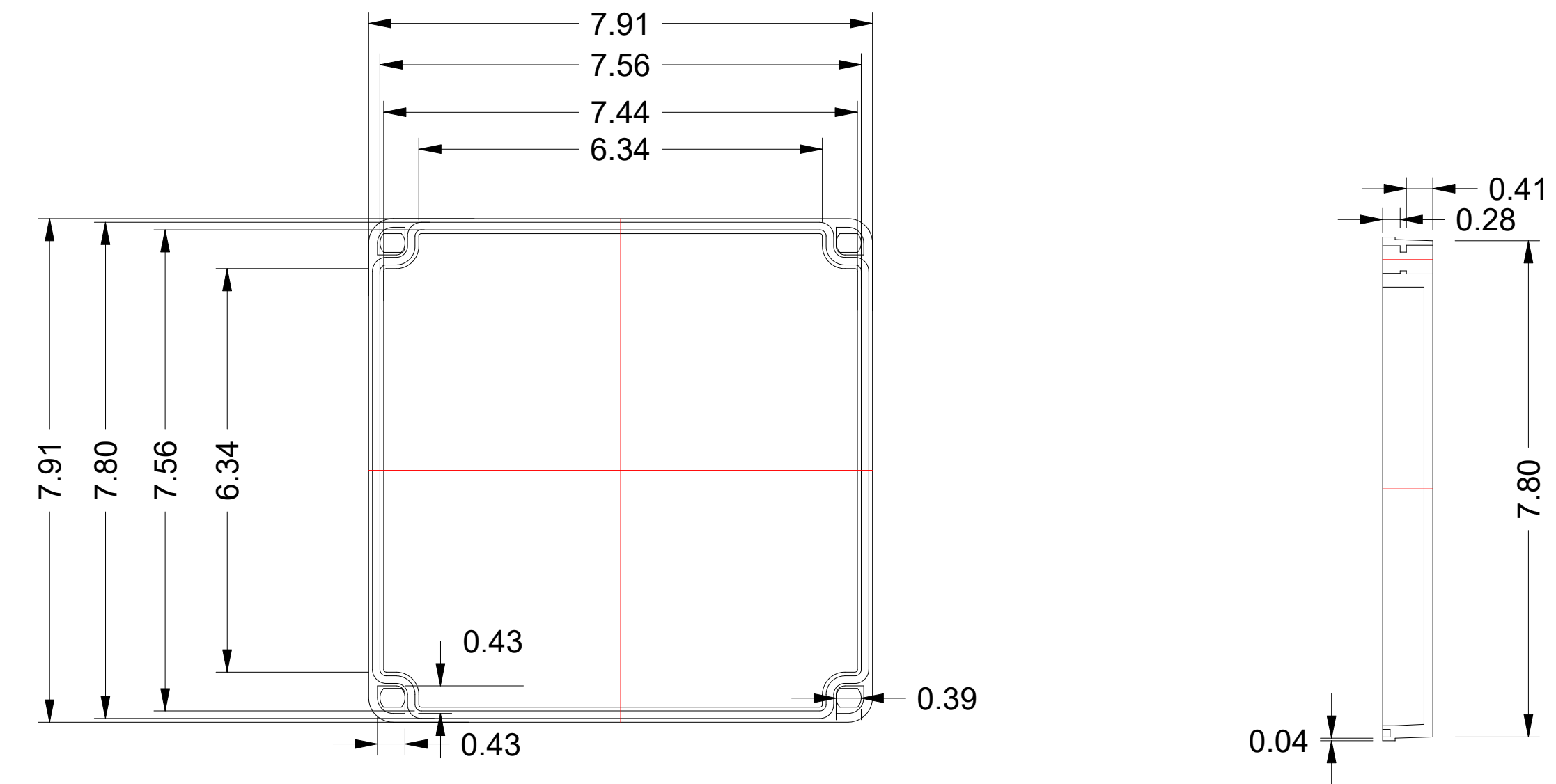


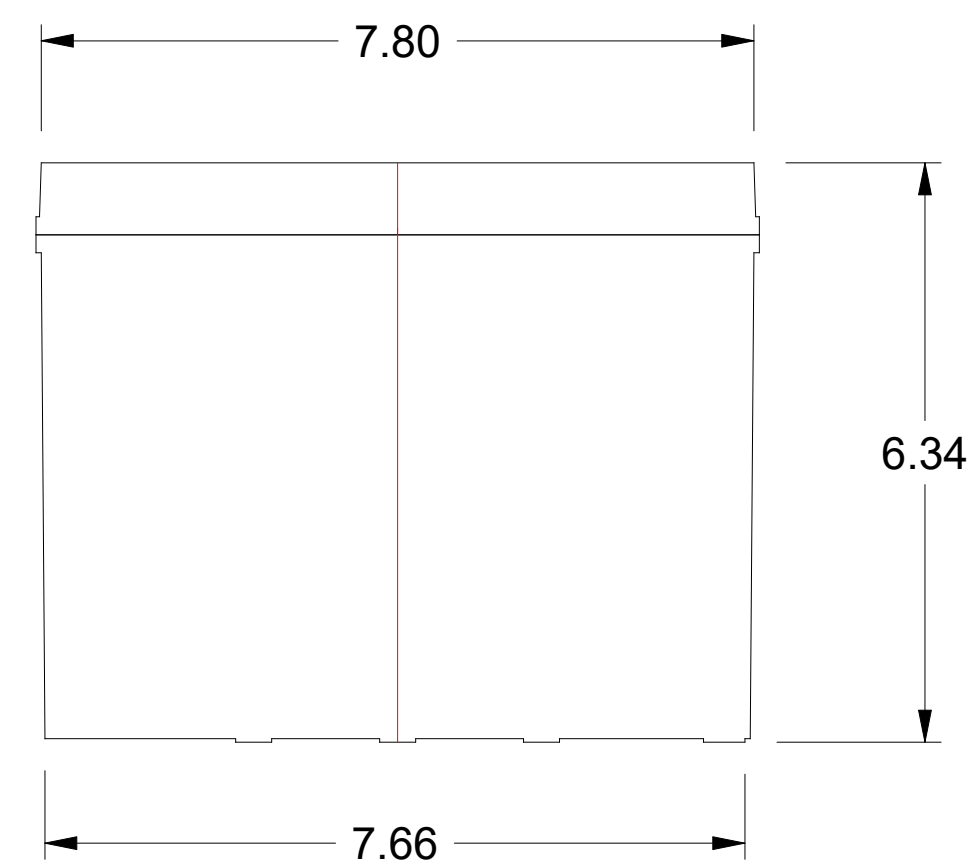
BODY



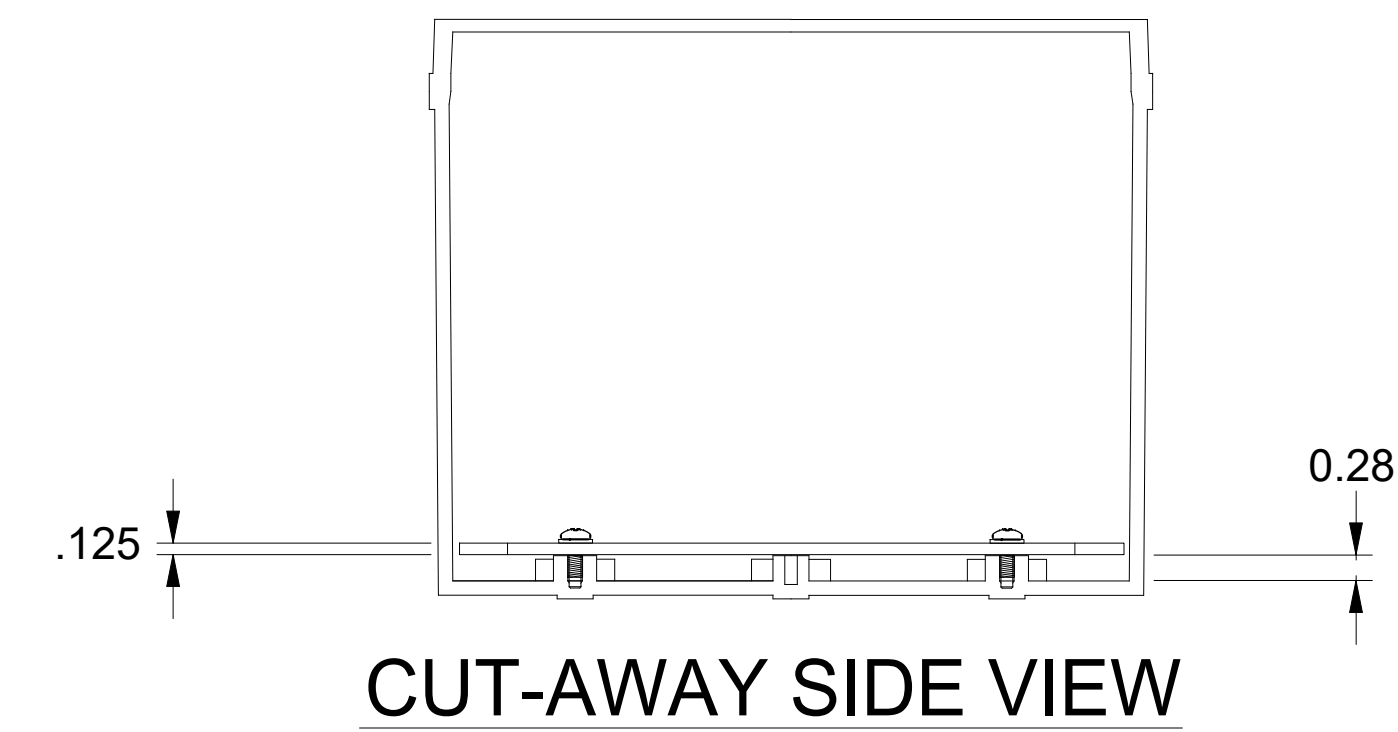
COVER



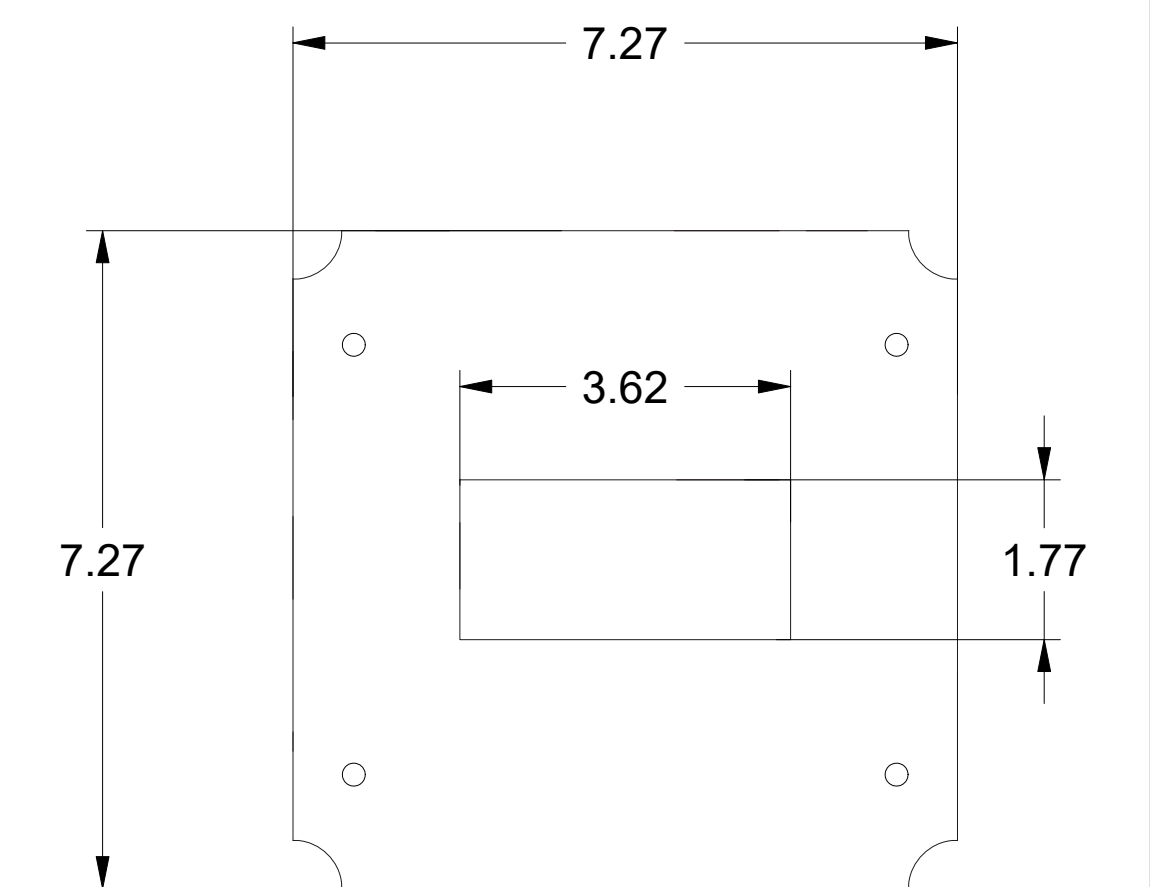
BOTTOM VIEW



ASSEMBLED SIDE VIEW



CUT-AWAY SIDE VIEW



MOUNTING PLATE

#8-32 1/2" PHILLIPS  #8 WASHER 

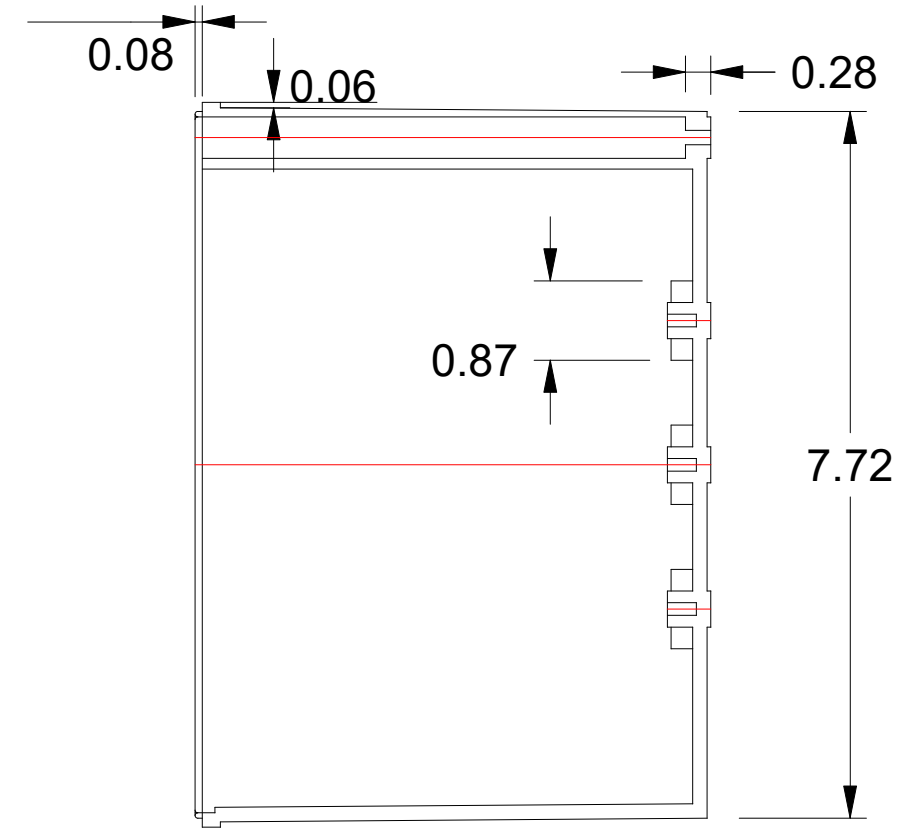
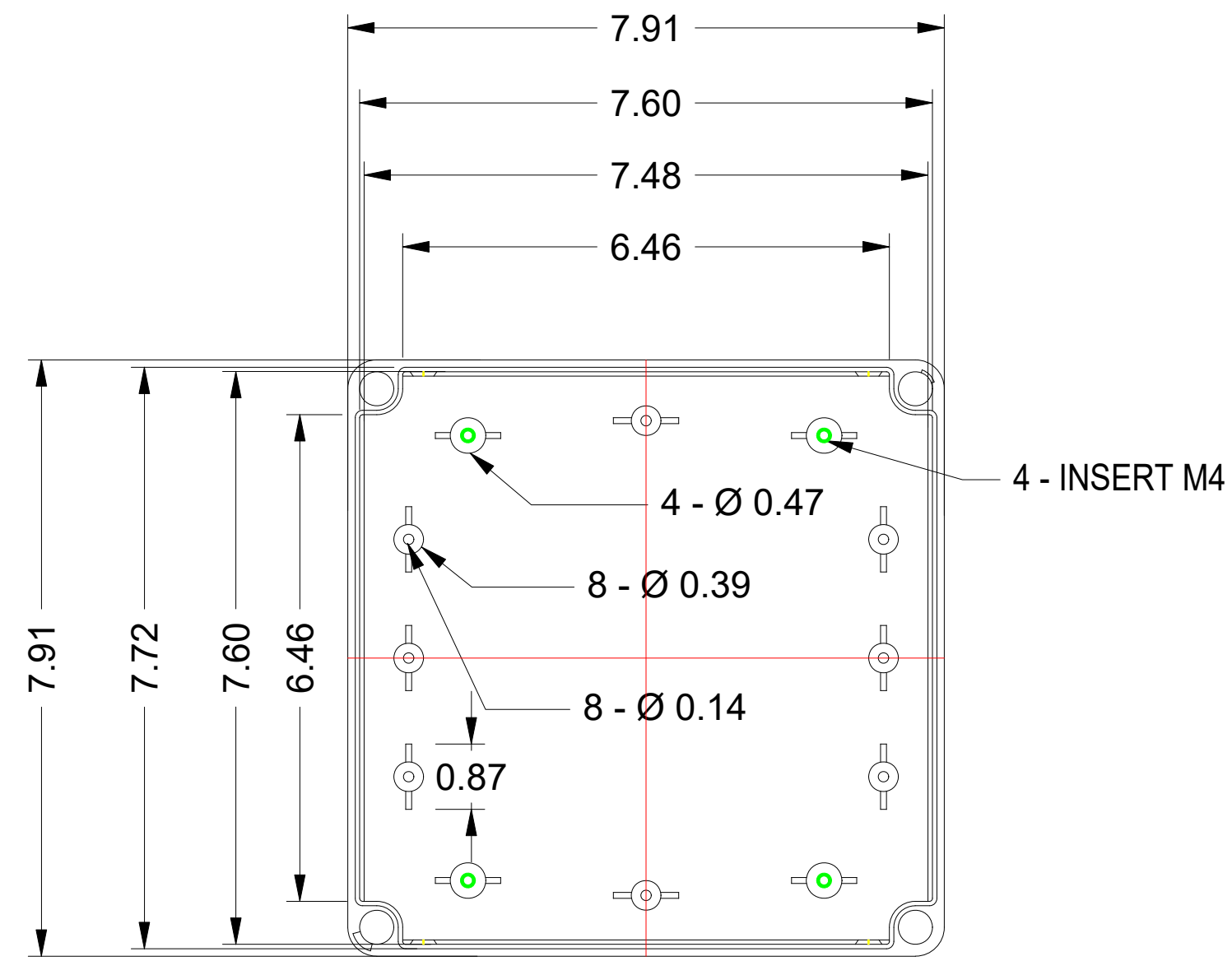
HARDWARE

NOTES: ALL DIMENSIONS SHOWN ARE IN INCHES.

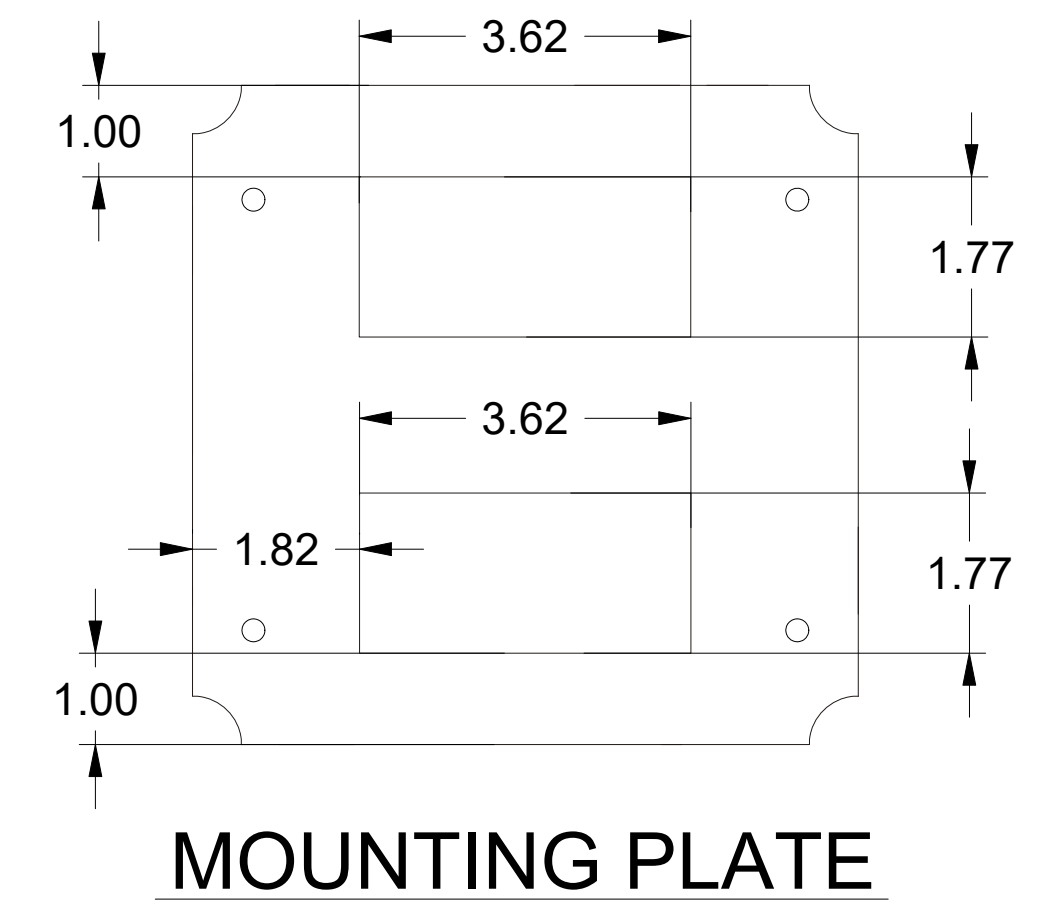
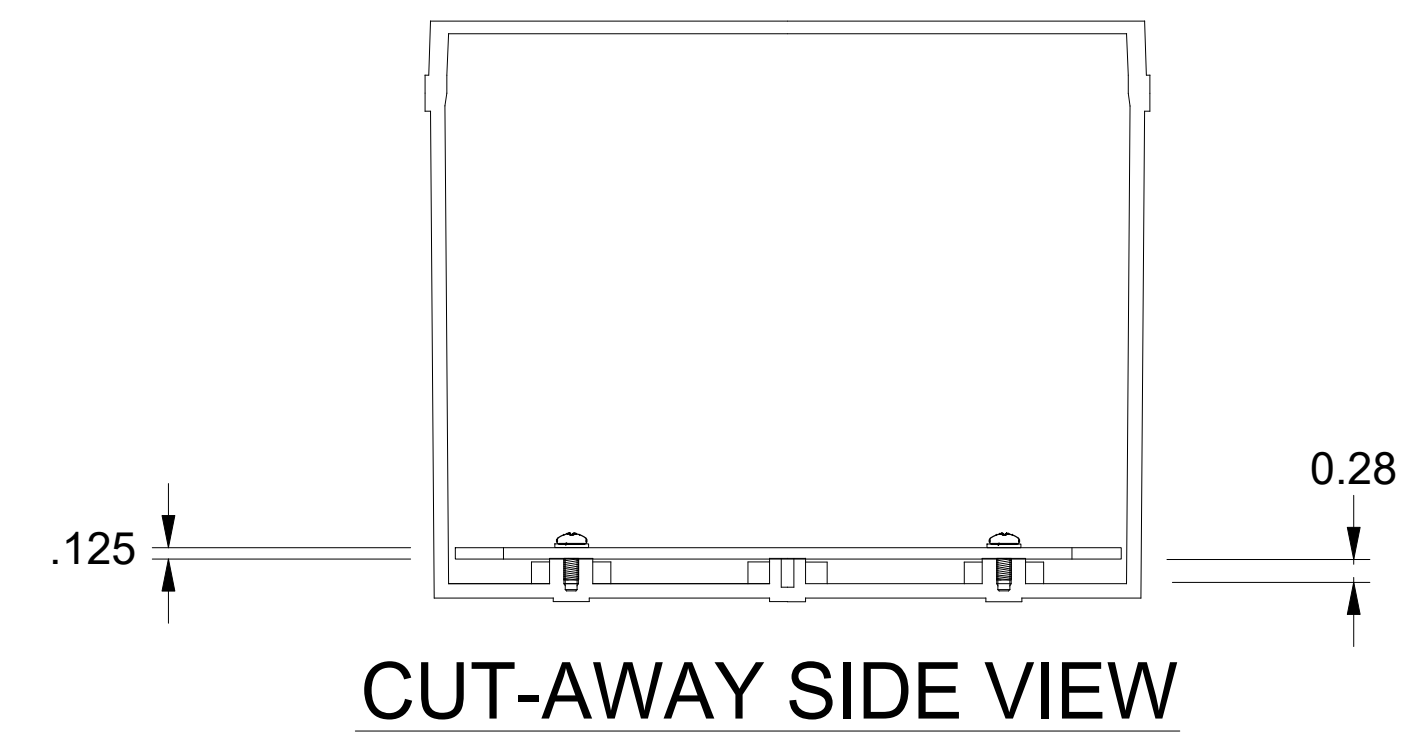
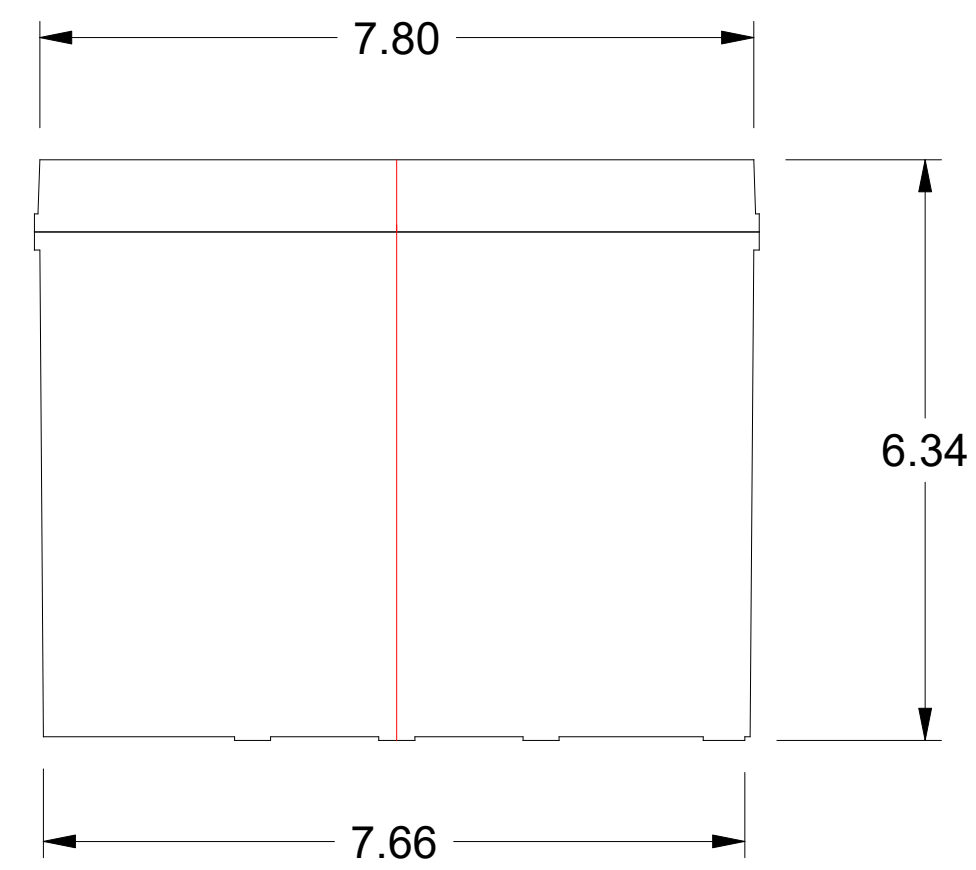
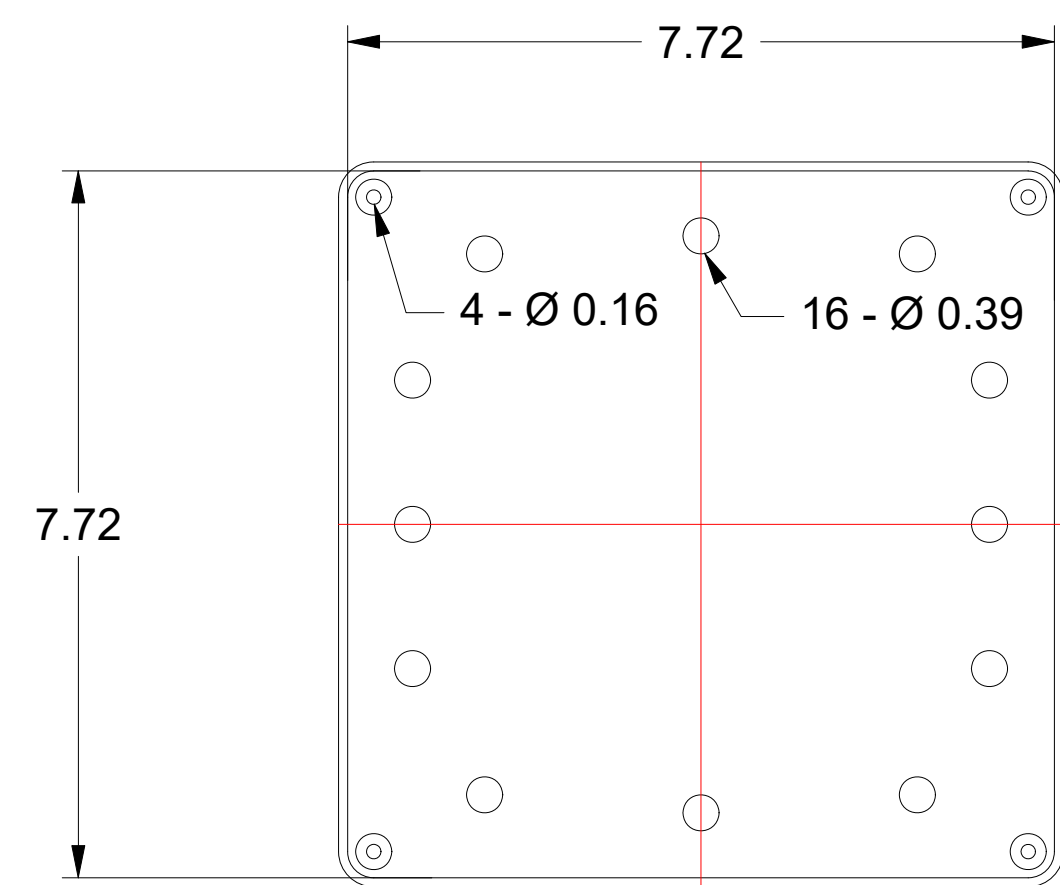
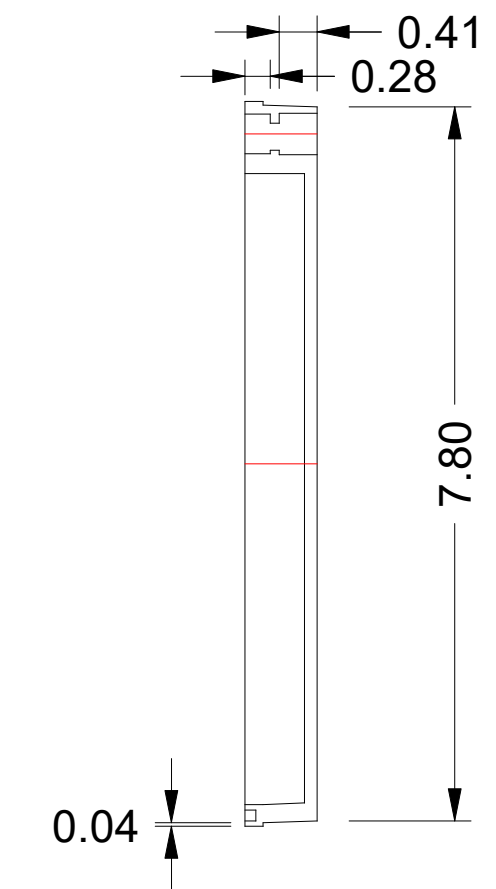
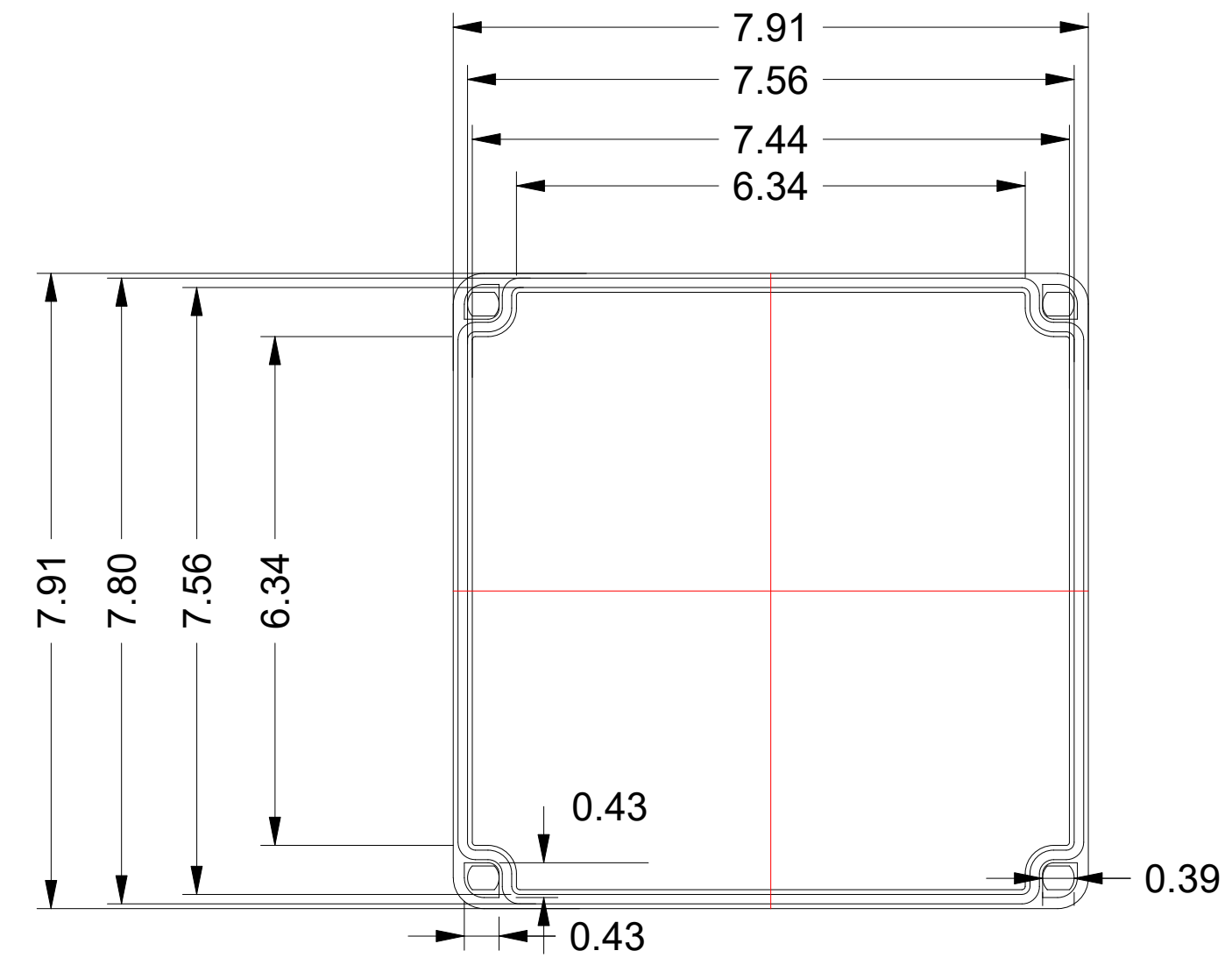
DRAWN
P. Colin
02/01/2016

FLOWLINE INC.		
LOS ALAMITOS, CA 90720		
LM92-1202 ENCLOSURE DRAWING FILE 301685 REV A		
SCALE 1:2	SIZE D (34 x 22)	SHEET 1 OF 1

BODY



COVER



BOTTOM VIEW

NOTES: ALL DIMENSIONS SHOWN ARE IN INCHES.



DRAWN
P. COLIN
02/01/2016

FLOWLINE, INC.		
LOS ALAMITOS, CA 90720		
LM92-2202 ENCLOSURE DRAWING FILE 301686 REV A		
SCALE 1:2	SIZE D (34 x 22)	SHEET 1 OF 1