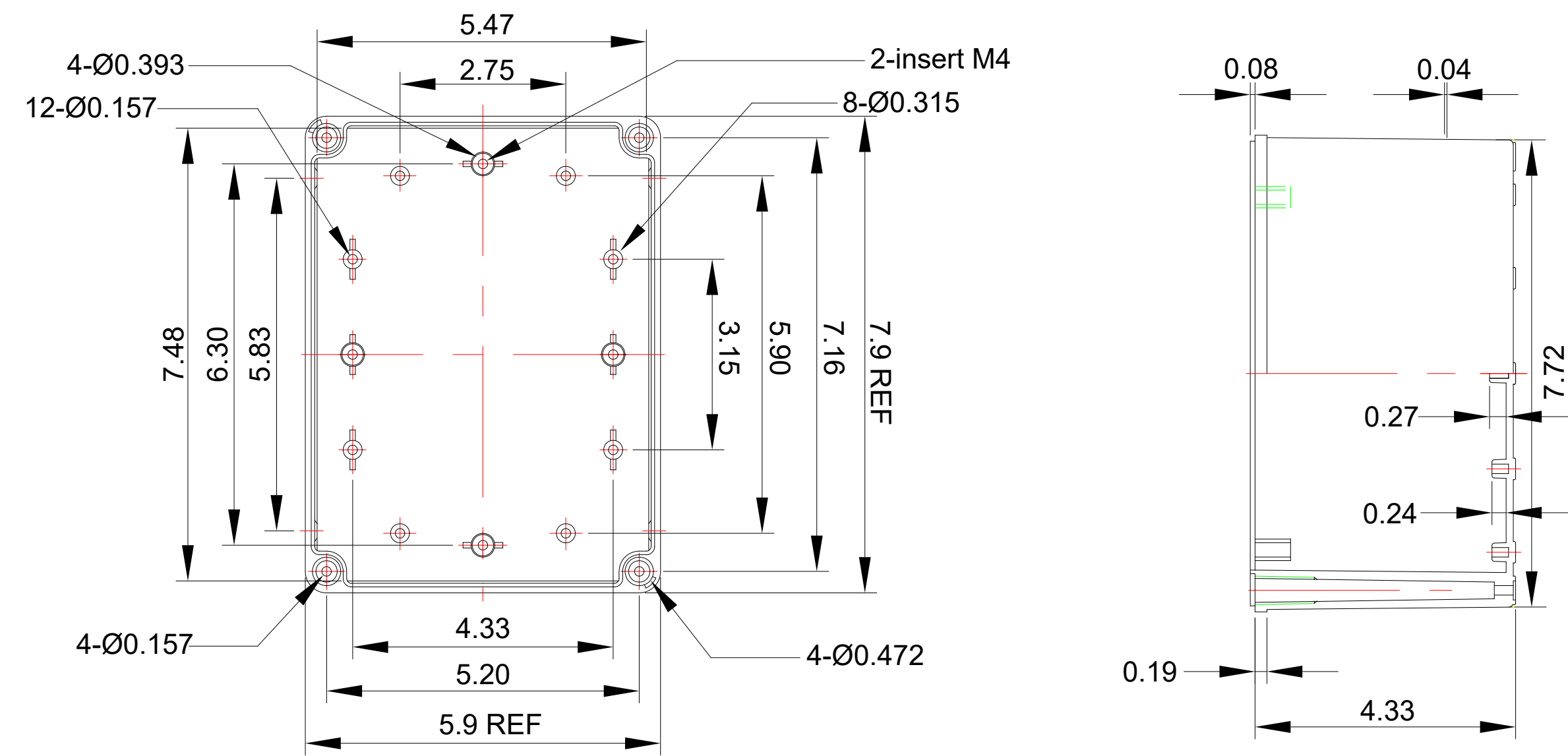


NOTES: ALL DIMENSIONS SHOWN ARE IN INCHES.

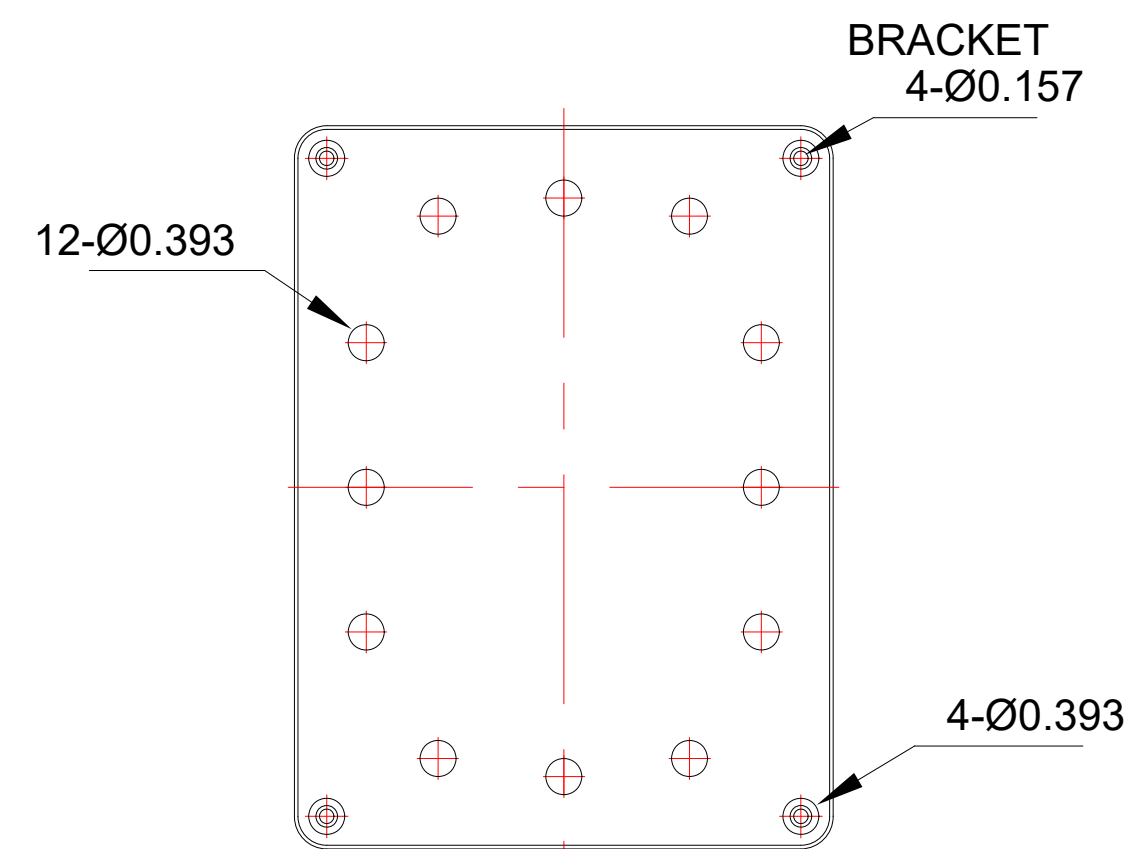
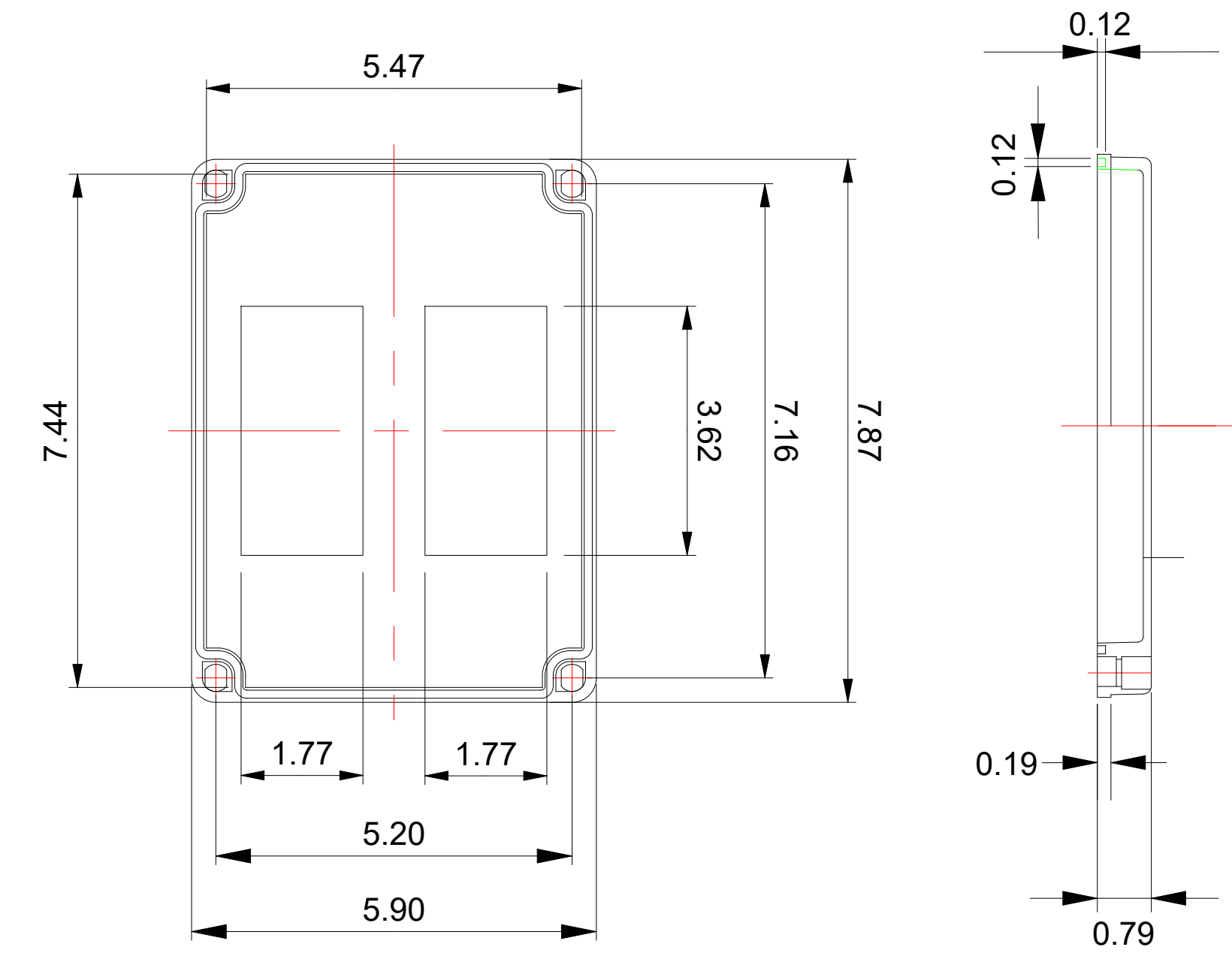
DRAWN  
P. Colin  
02/01/2016

<b>FLOWLINE, INC.</b>		
LOS ALAMITOS, CA 90720		
<b>LM91-1001 ENCLOSURE DRAWING FILE 301687 REV A</b>		
SCALE 1:2	SIZE D (34 x 22)	SHEET 1 OF 1

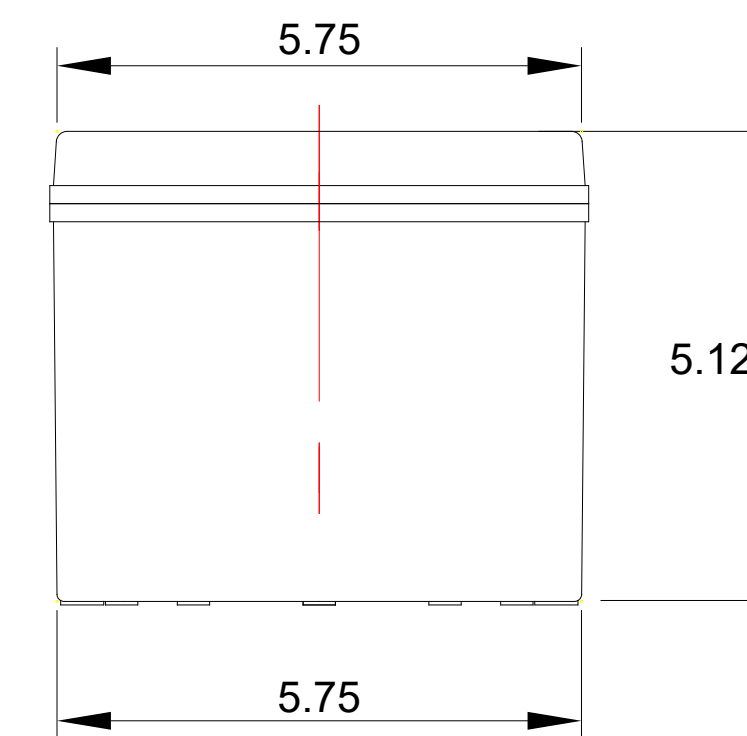
**BODY**



**COVER**



**BOTTOM VIEW**



NOTES: ALL DIMENSIONS SHOWN ARE IN INCHES.

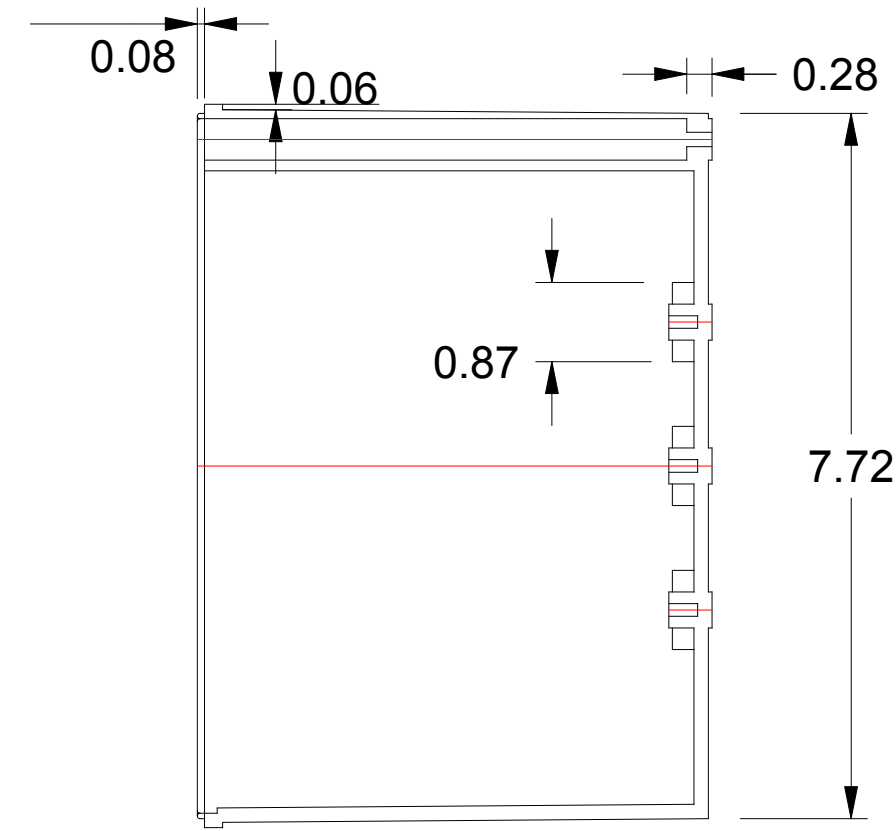
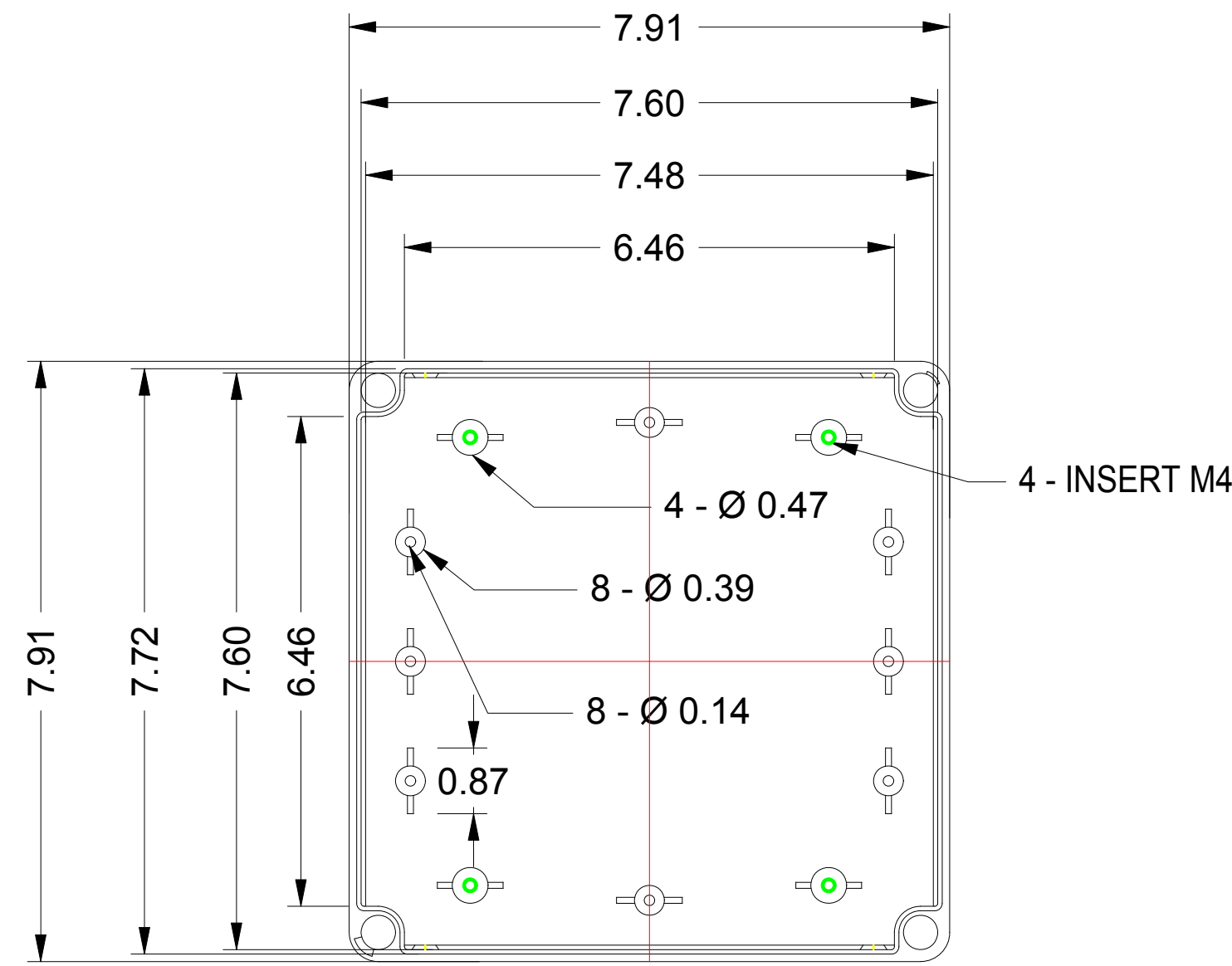
DRAWN  
P. Colin  
02/01/2016

FLOWLINE, INC.  
LOS ALAMITOS, CA 90720

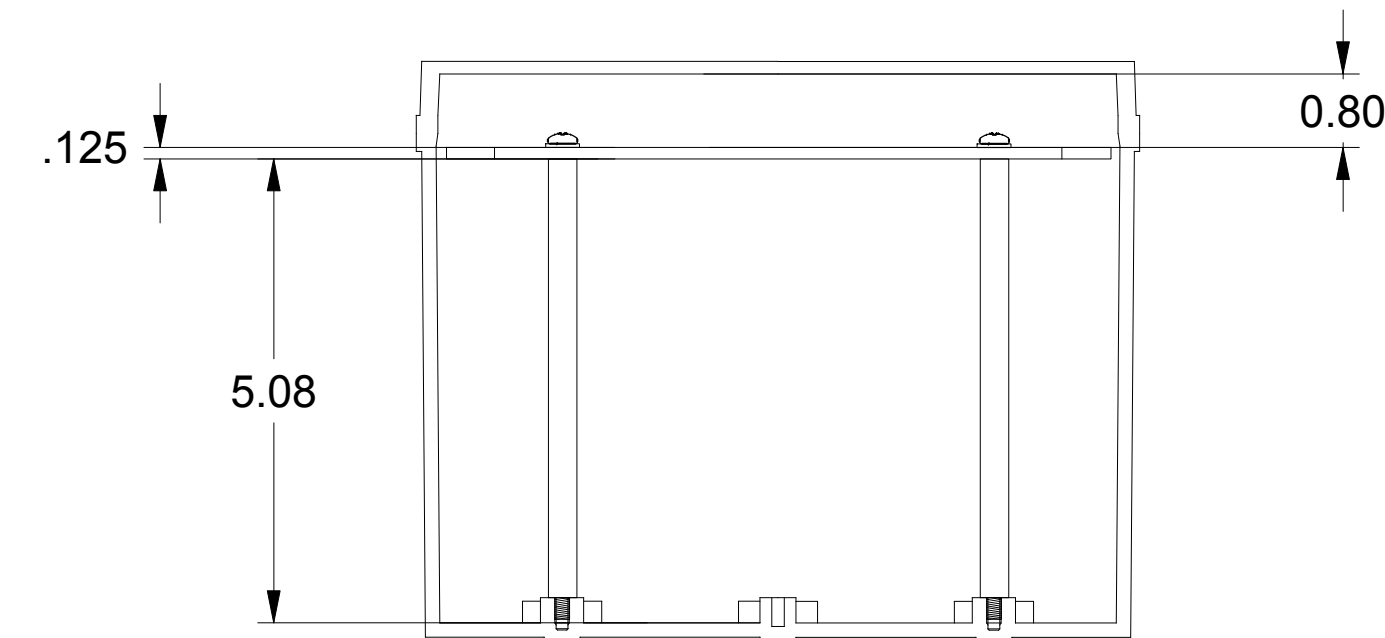
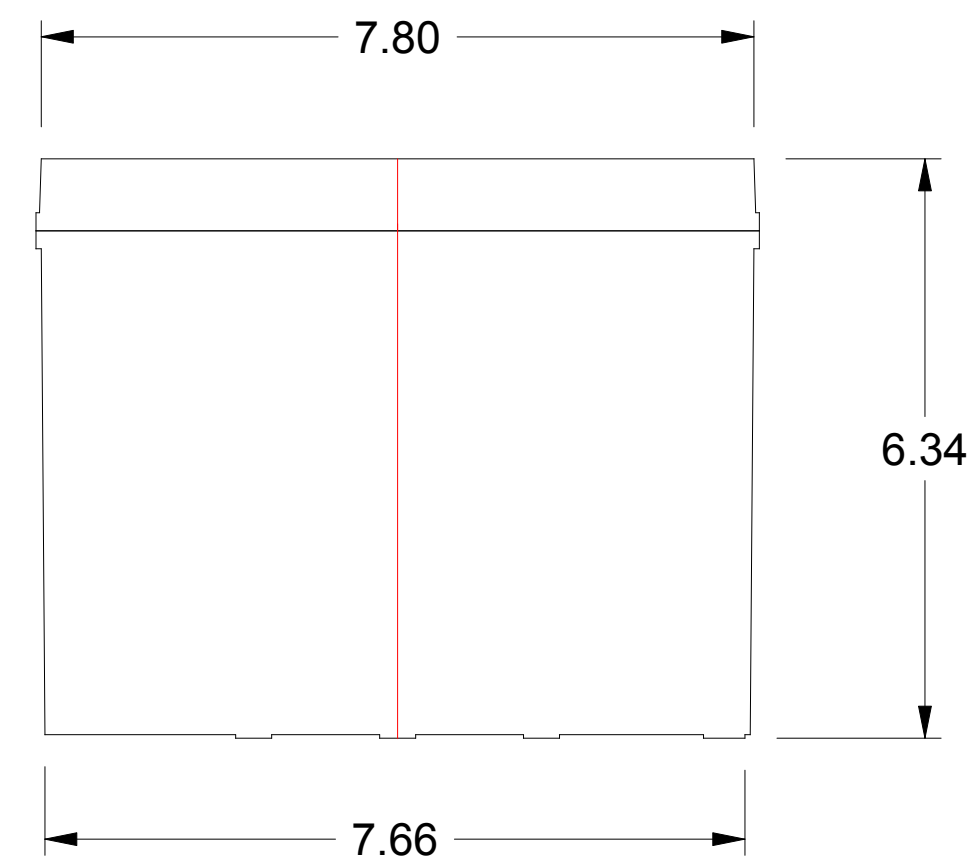
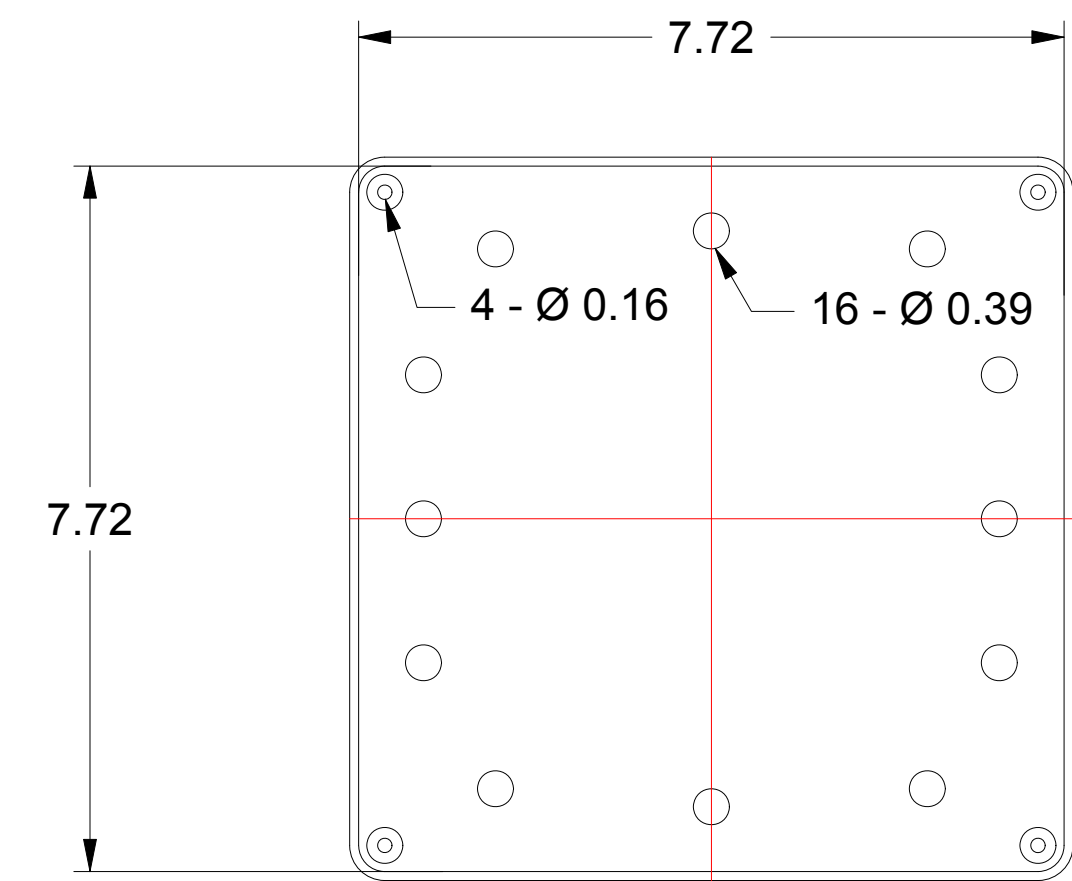
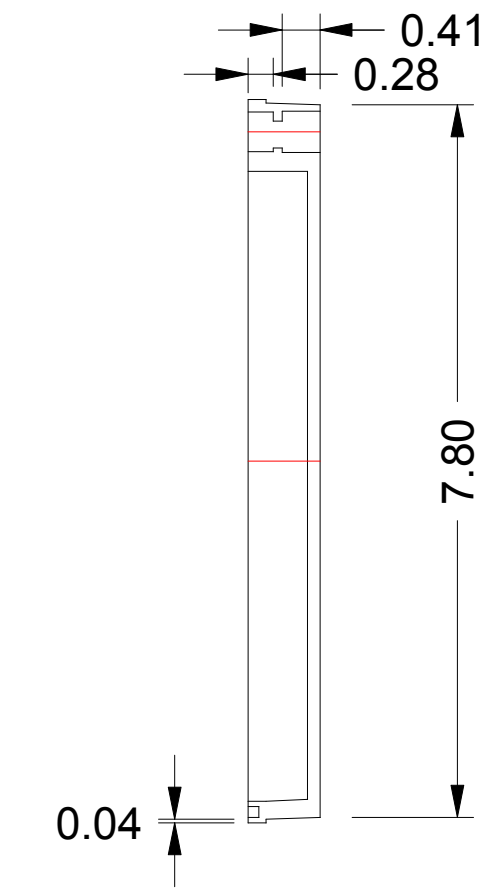
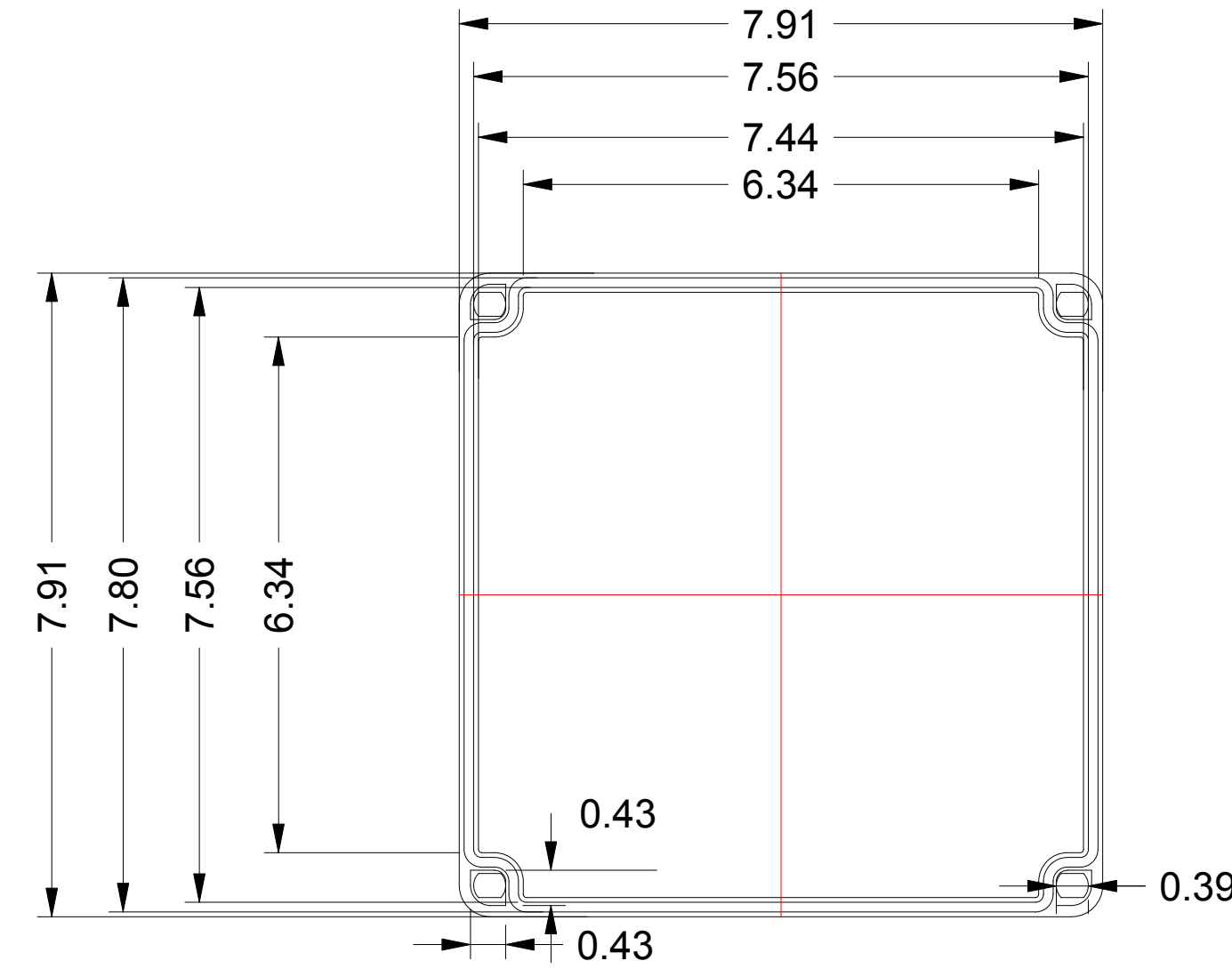
LM91-2001 ENCLOSURE  
DRAWING FILE  
301688 REV A

SCALE 1:2 SIZE D (34 x 22) SHEET 1 OF 1

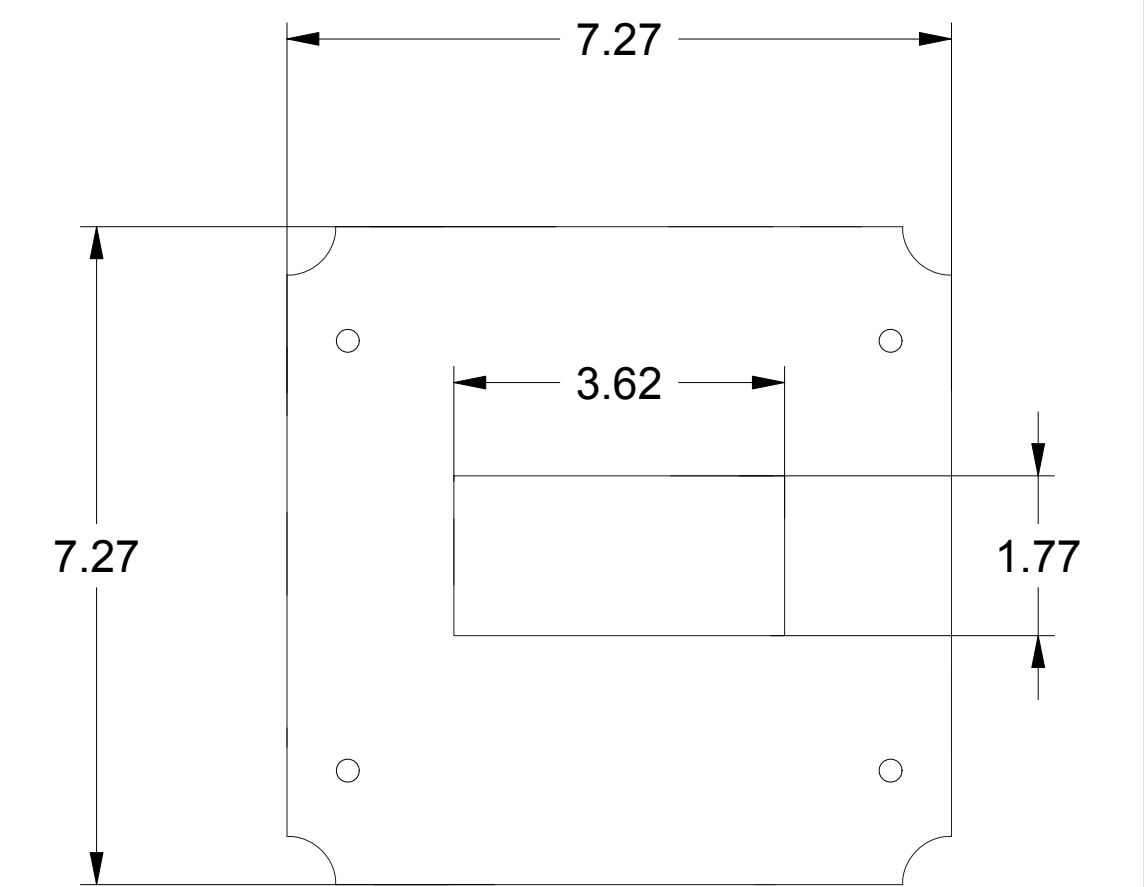
**BODY**



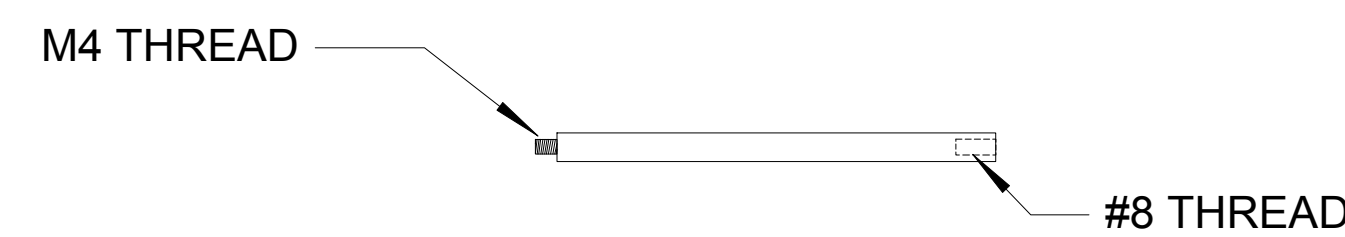
**COVER**



**CUT-AWAY SIDE VIEW**



**MOUNTING PLATE**



**STAND-OFF**



**HARDWARE**

**BOTTOM VIEW**

**ASSEMBLED SIDE VIEW**

NOTES: ALL DIMENSIONS SHOWN ARE IN INCHES.

DRAWN  
P. Colin  
02/01/2016

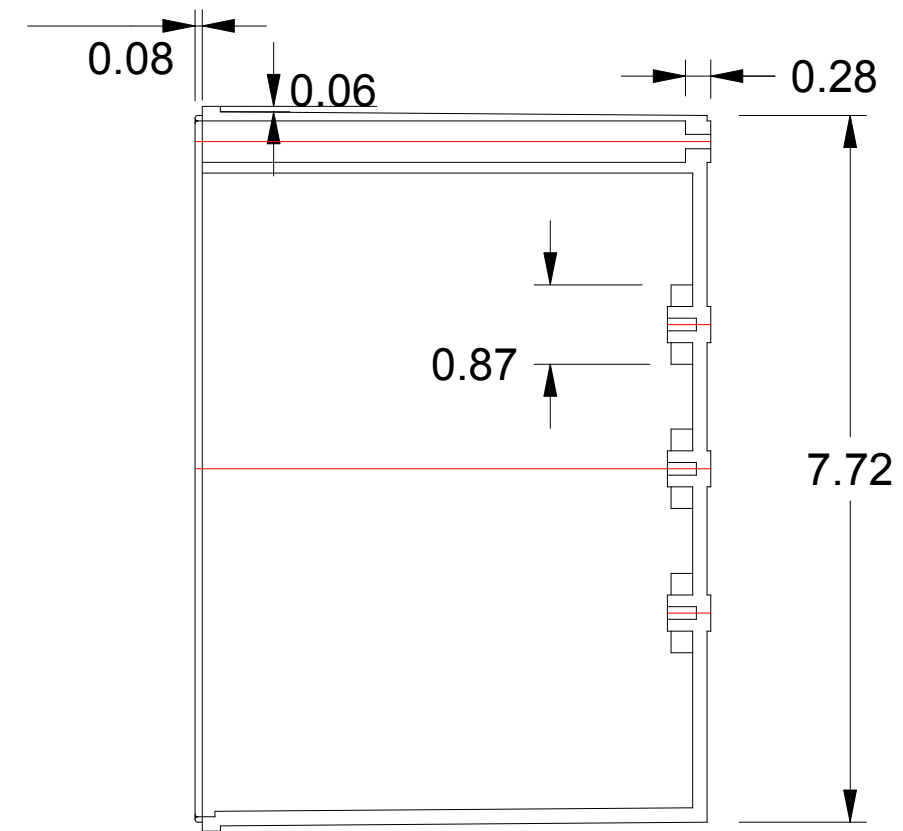
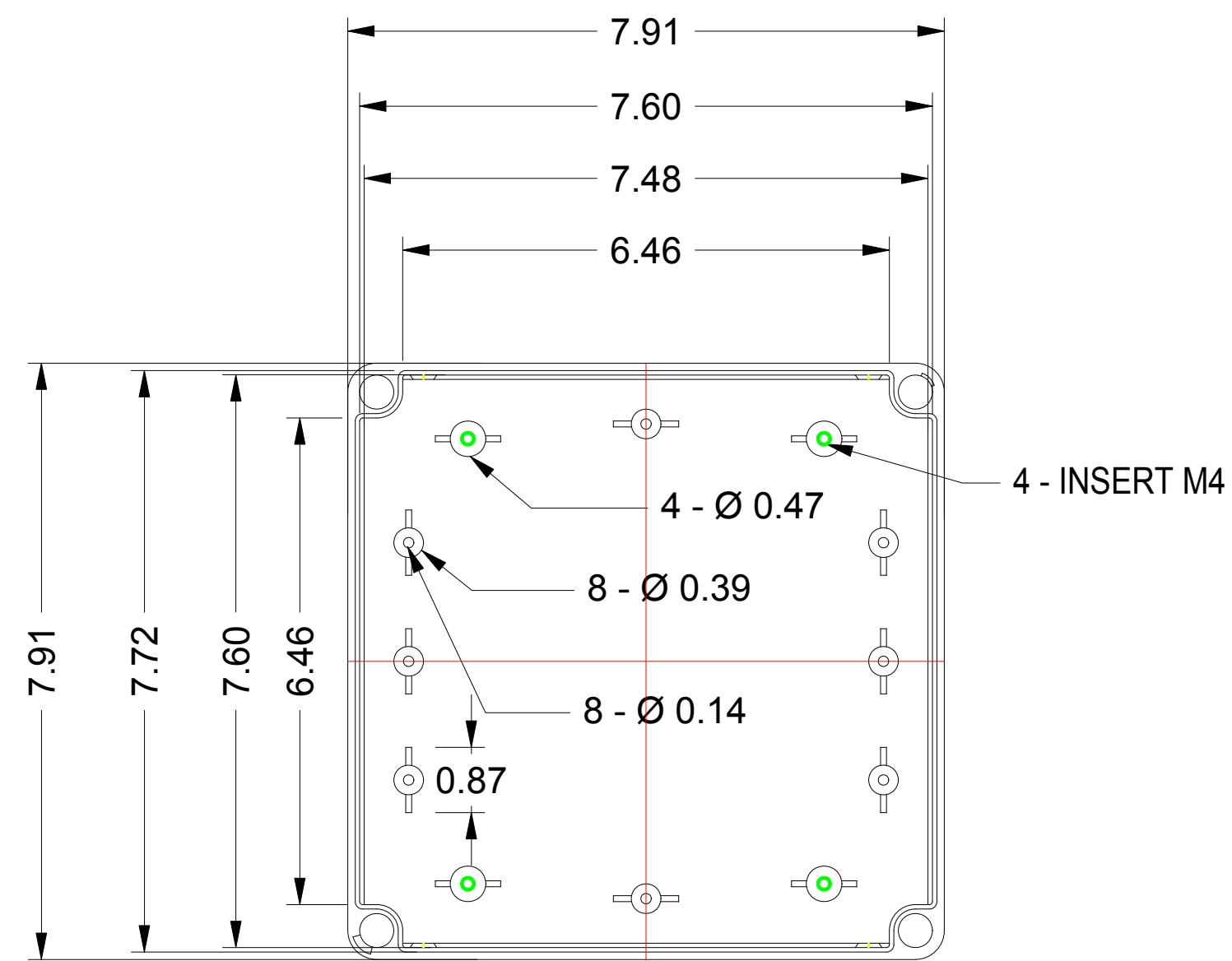
**FLOWLINE INC.**

LOS ALAMITOS, CA 90720

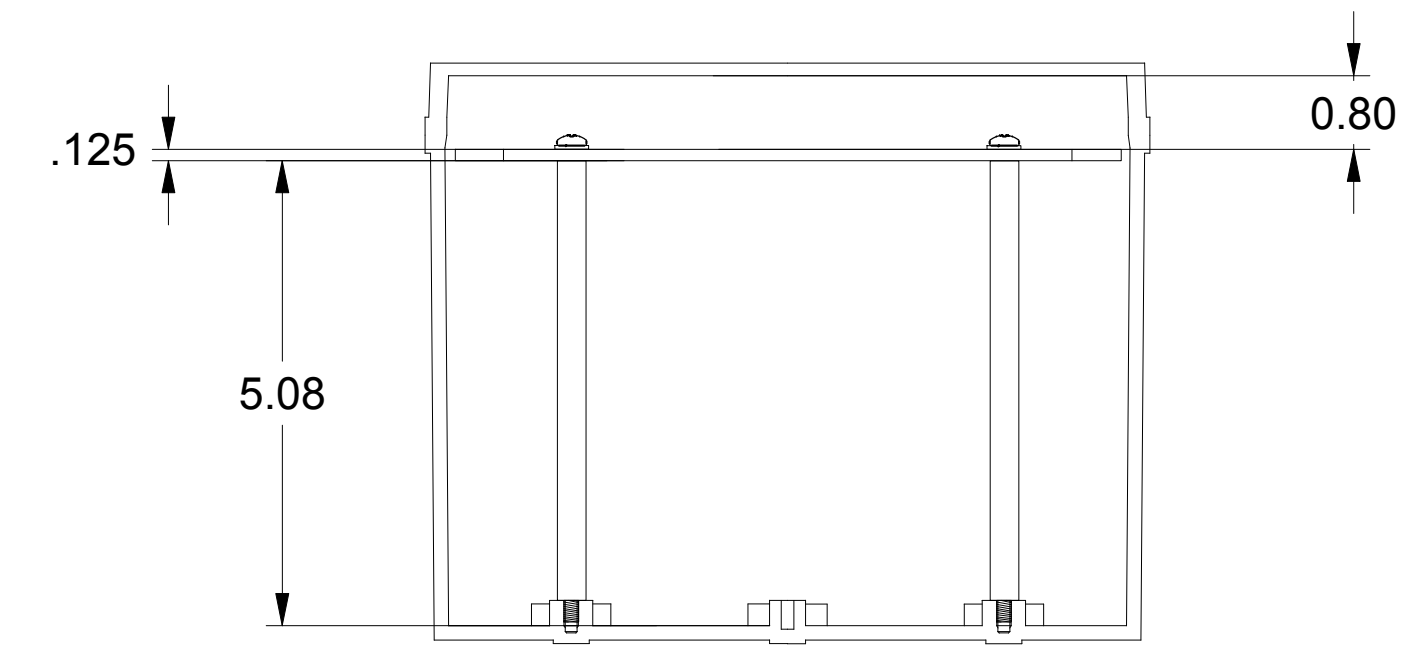
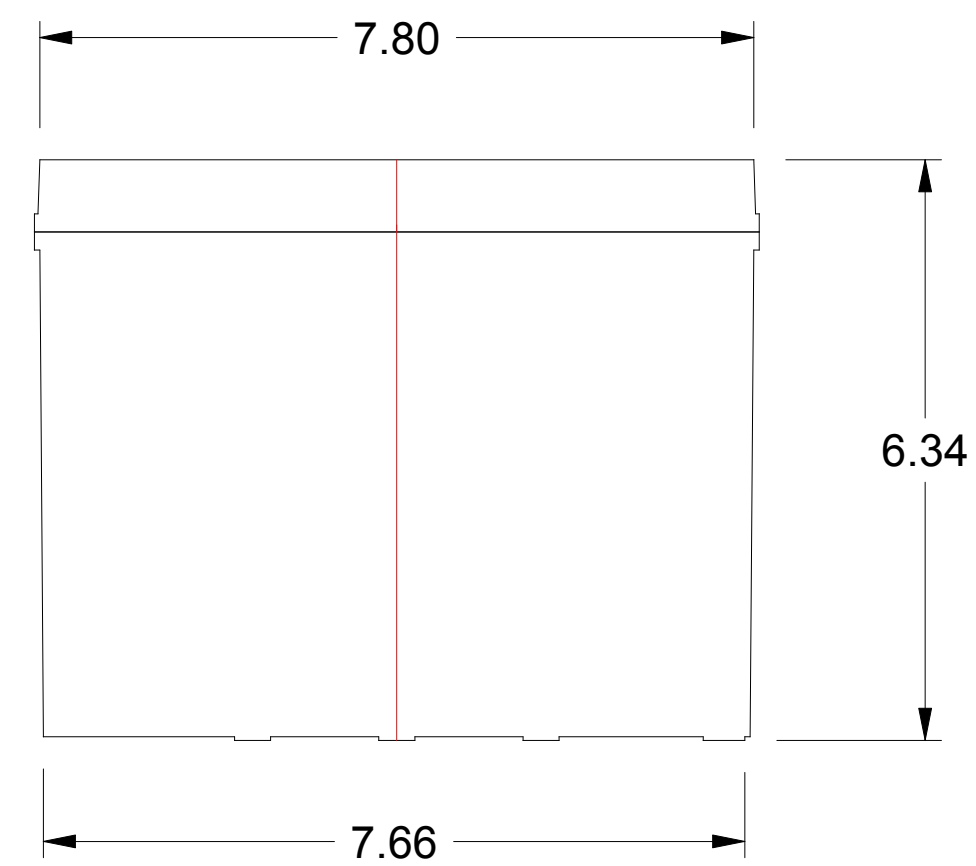
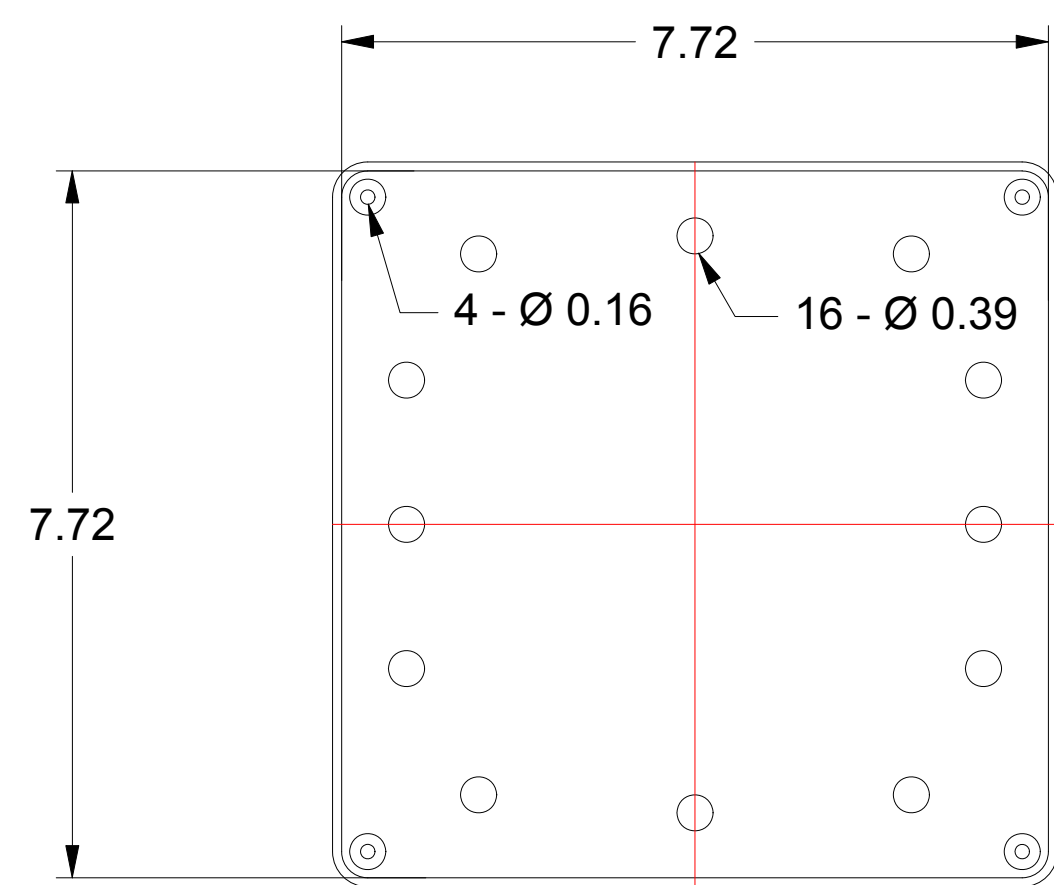
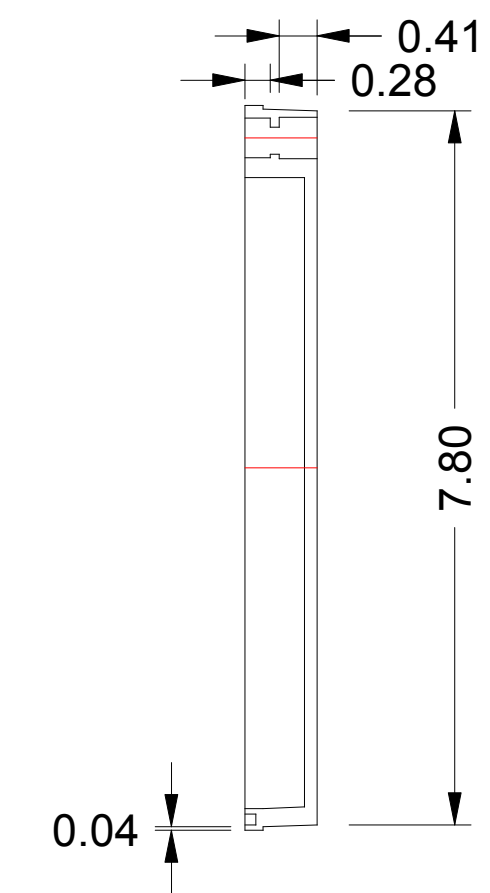
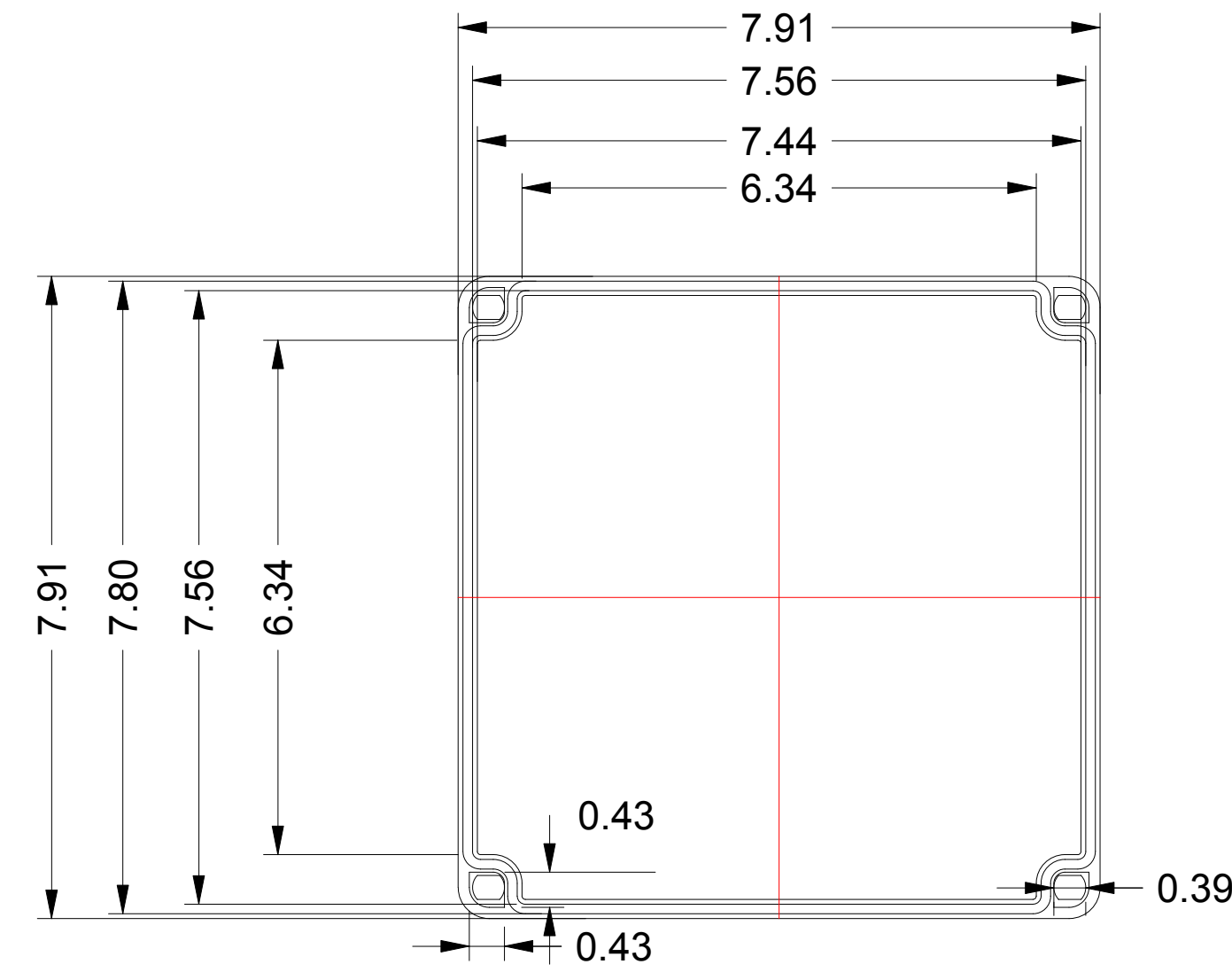
**LM92-1002 ENCLOSURE  
DRAWING FILE  
301681 REV A**

SCALE 1:2 SIZE D (34 x 22) SHEET 1 OF 1

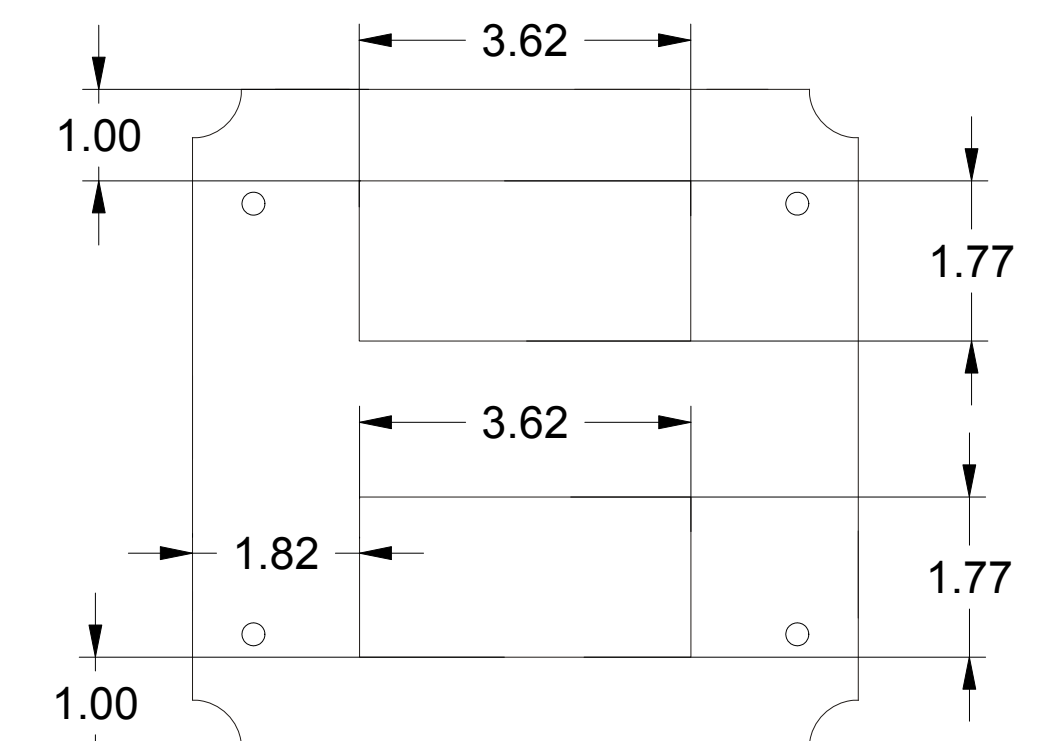
**BODY**



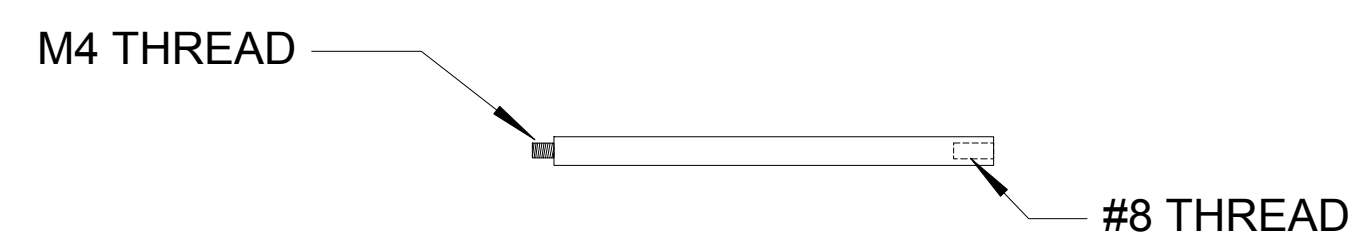
**COVER**



**CUT-AWAY SIDE VIEW**



**MOUNTING PLATE**



**STAND-OFF**



**HARDWARE**

NOTES: ALL DIMENSIONS SHOWN ARE IN INCHES.

**BOTTOM VIEW**

DRAWN  
P. COLIN  
02/01/2016

**FLOWLINE, INC.**

LOS ALAMITOS, CA 90720

**LM92-2002 ENCLOSURE  
DRAWING FILE  
301682 REV A**