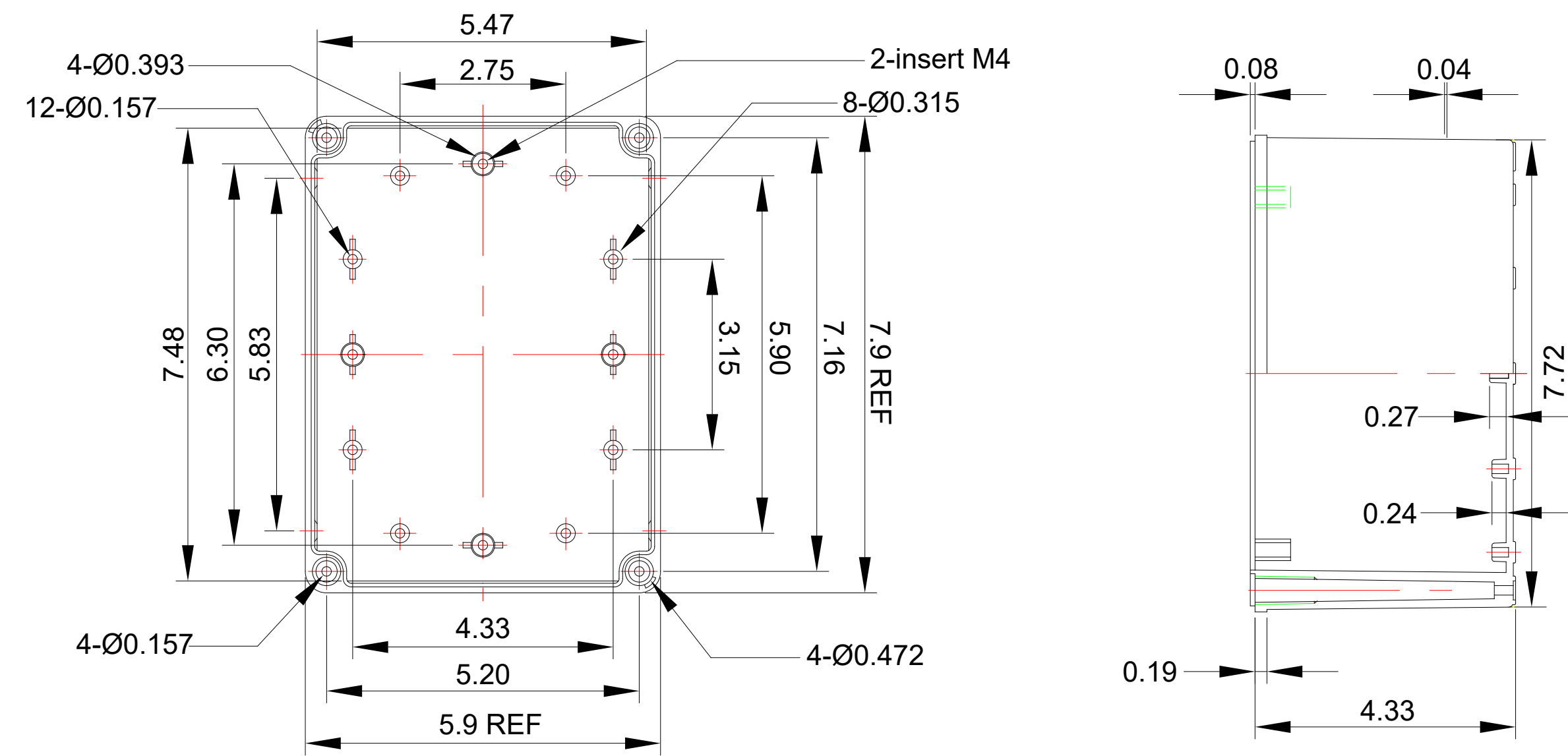


NOTES: ALL DIMENSIONS SHOWN ARE IN INCHES.

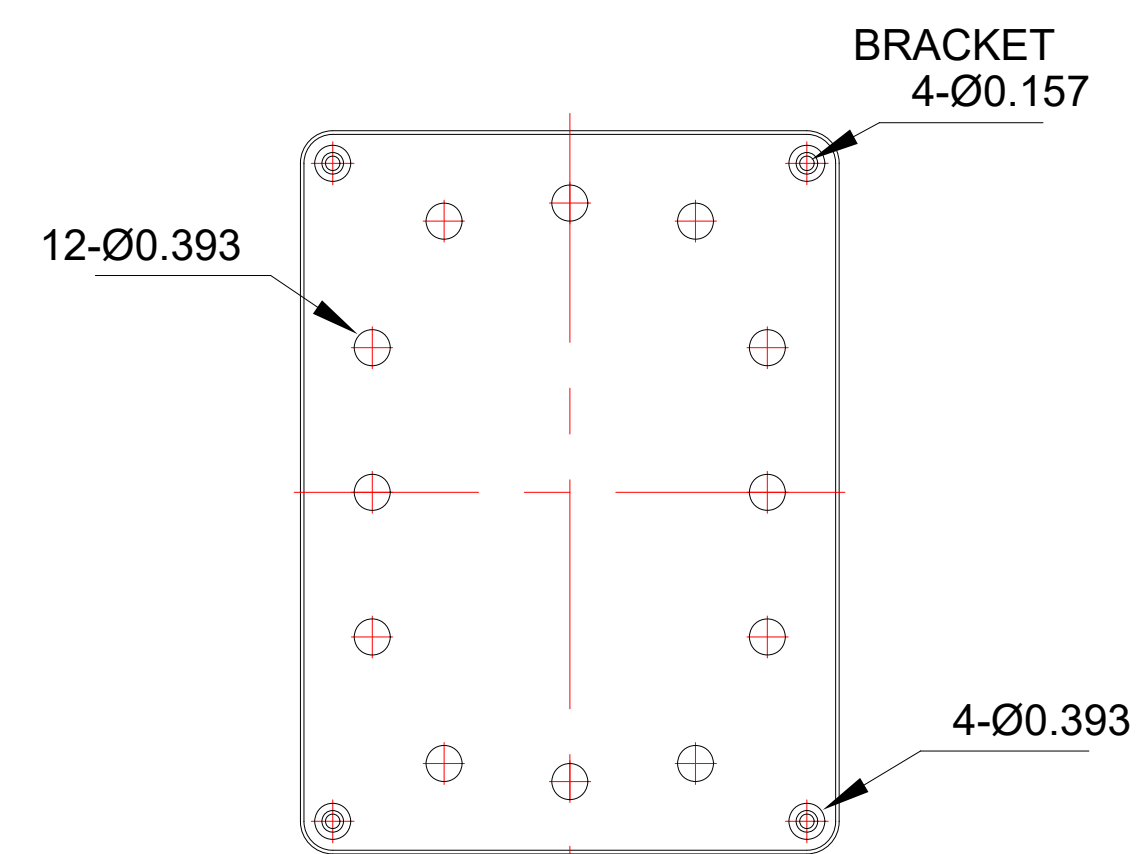
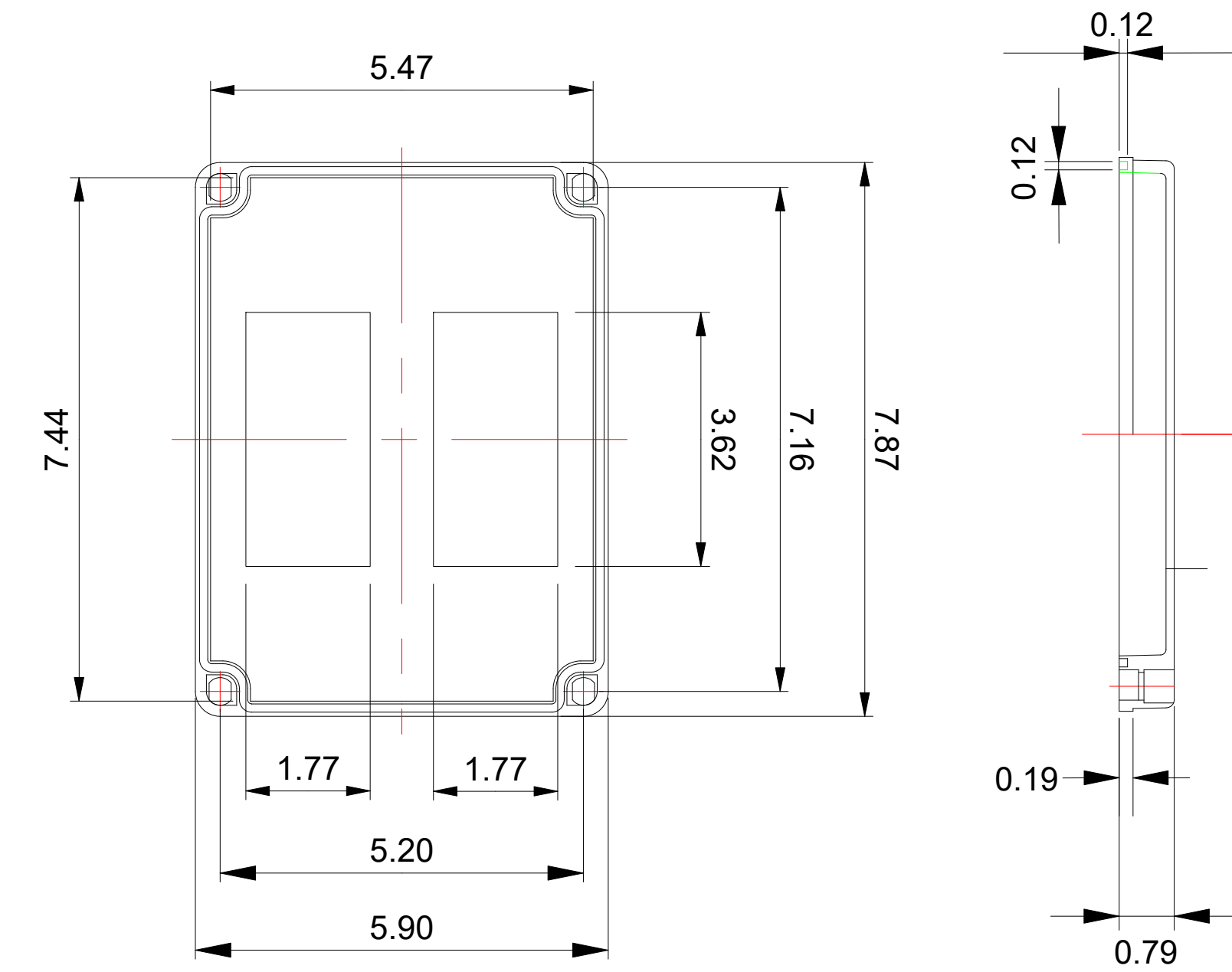
DRAWN
P. Colin
02/01/2016

FLOWLINE, INC.		
LOS ALAMITOS, CA 90720		
LM91-1001 ENCLOSURE DRAWING FILE 301687 REV A		
SCALE 1:2	SIZE D (34 x 22)	SHEET 1 OF 1

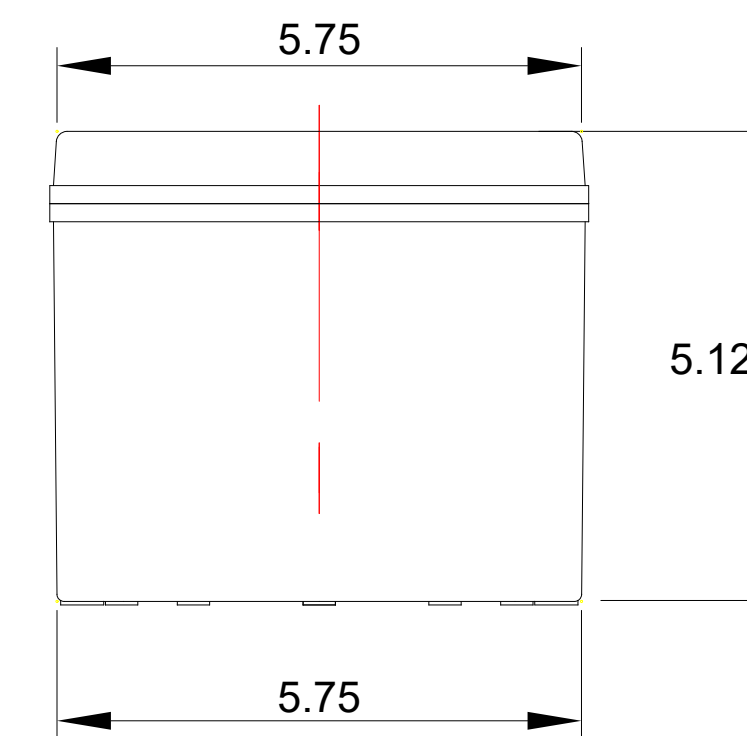
BODY



COVER



BOTTOM VIEW



NOTES: ALL DIMENSIONS SHOWN ARE IN INCHES.

DRAWN
P. Colin
02/01/2016

FLOWLINE, INC.
LOS ALAMITOS, CA 90720

LM91-2001 ENCLOSURE
DRAWING FILE
301688 REV A

SCALE 1:2 | SIZE D (34 x 22) | SHEET 1 OF 1