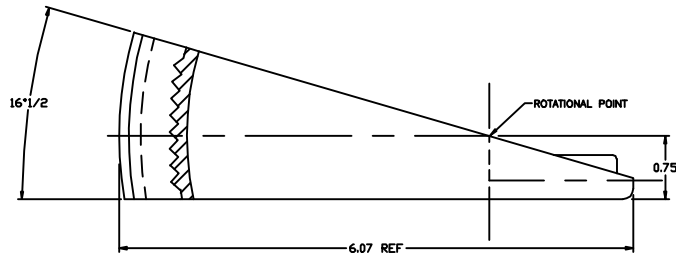
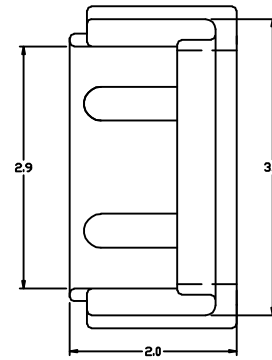
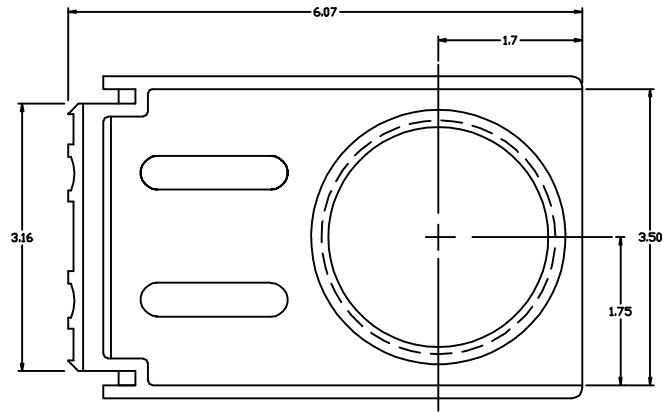



THE INFORMATION CONTAINED ON THIS DRAWING IS THE PROPERTY OF FLOWLINE INC. AND ALL RIGHTS ARE RETAINED BY FLOWLINE INC. UNLESS OTHERWISE AUTHORIZED IN WRITING BY FLOWLINE INC. THIS DRAWING IS ALSO PROTECTED BY UNITED STATES COPYRIGHT LAWS AND COPYING OR DUPLICATION OF THE INFORMATION ON THIS DRAWING IS NOT ALLOWED UNLESS AUTHORIZED IN WRITING BY FLOWLINE INC. © FLOWLINE INC., 2004

REVISIONS			
REV	DESCRIPTION	DATE	APPROVED
A	ECR 710226	8-15-12	



UNLESS OTHERWISE SPECIFIED DIMENSIONS ARE IN INCHES TOLERANCES ARE: FRACTIONS DECIMALS ANGLES .XX ± .010 + 0°30' .XXX ± .005	AUTOCAD DRAWING NUMBER		 10500 HUMBOLT LOS ALAMITOS, CALIFORNIA 90720 • (562) 598-3015 FAX (562) 431-8507	
	APPROVALS	DATE		
MATERIAL	DRAWN STS	8-15-12	LM50-1001 Side Mount Bracket Dimensional Drawing	
FINISH	CHECKED		B	DWG. NO. 301642
DO NOT SCALE DRAWING	APPROVED			REV A
SCALE			SHEET 1 of 1	