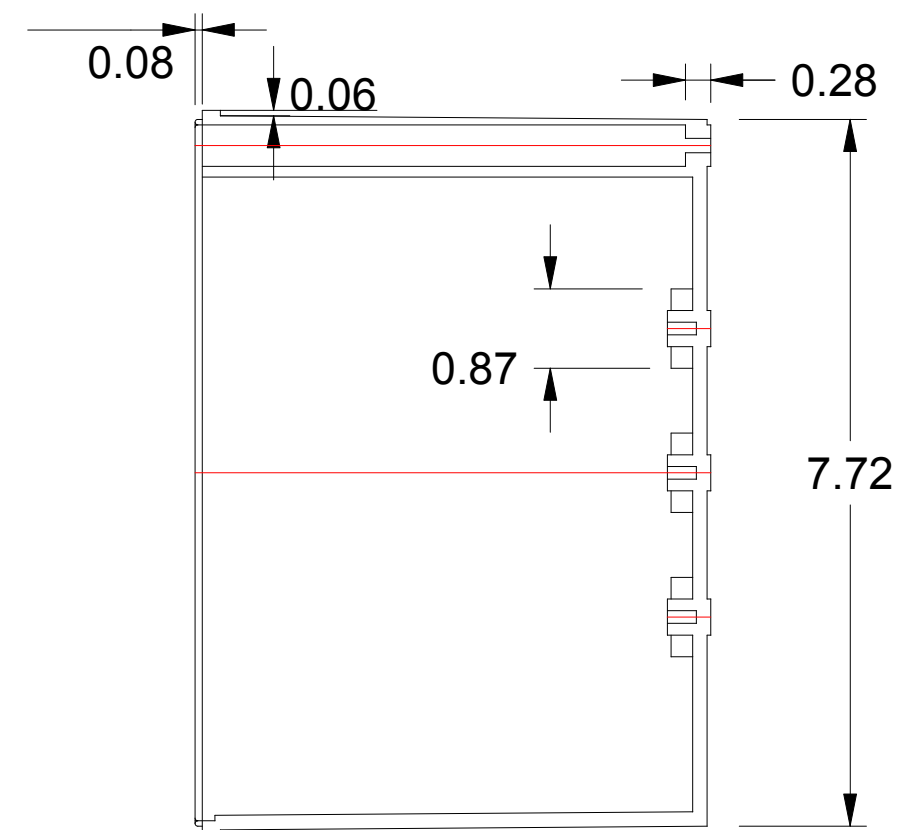
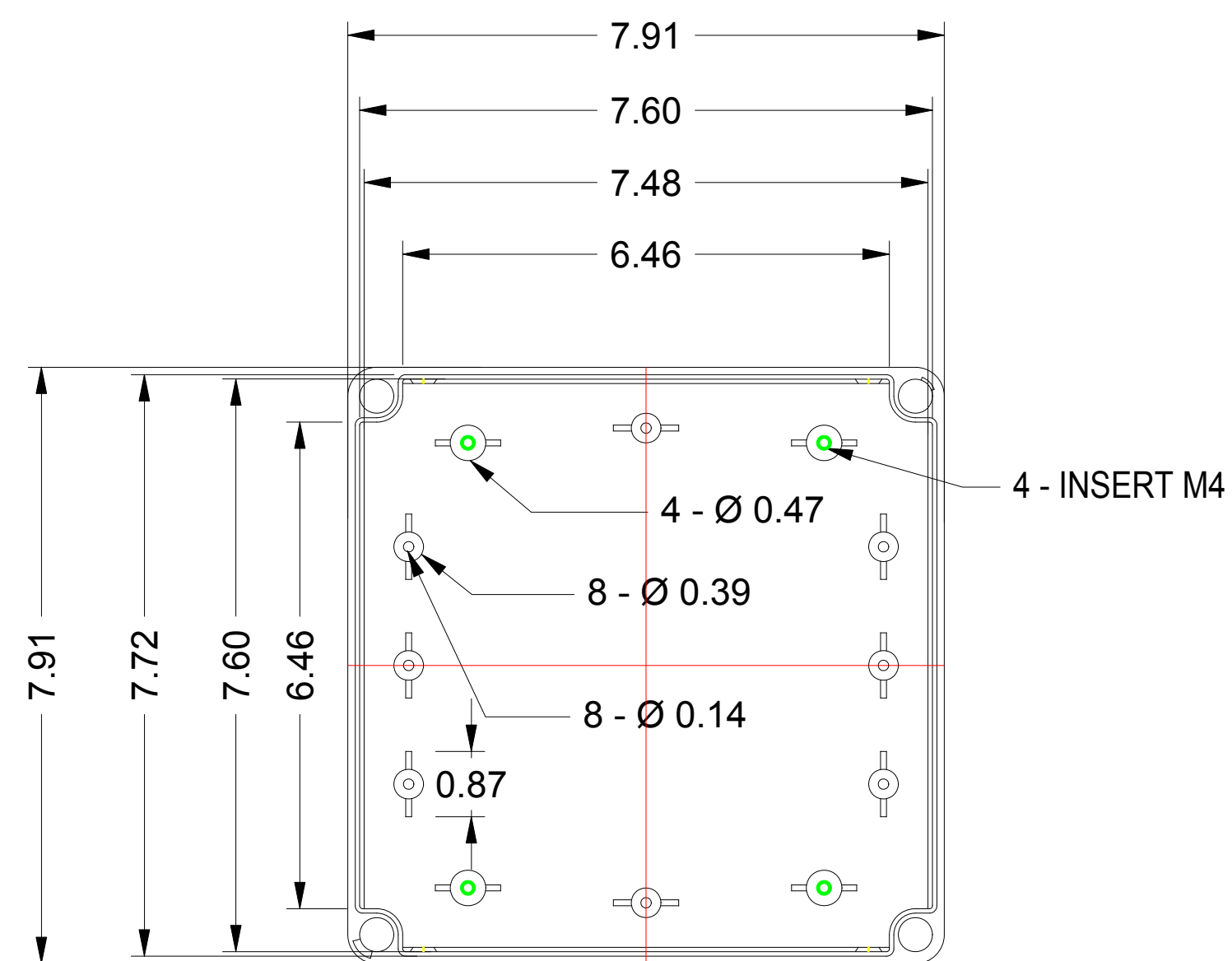
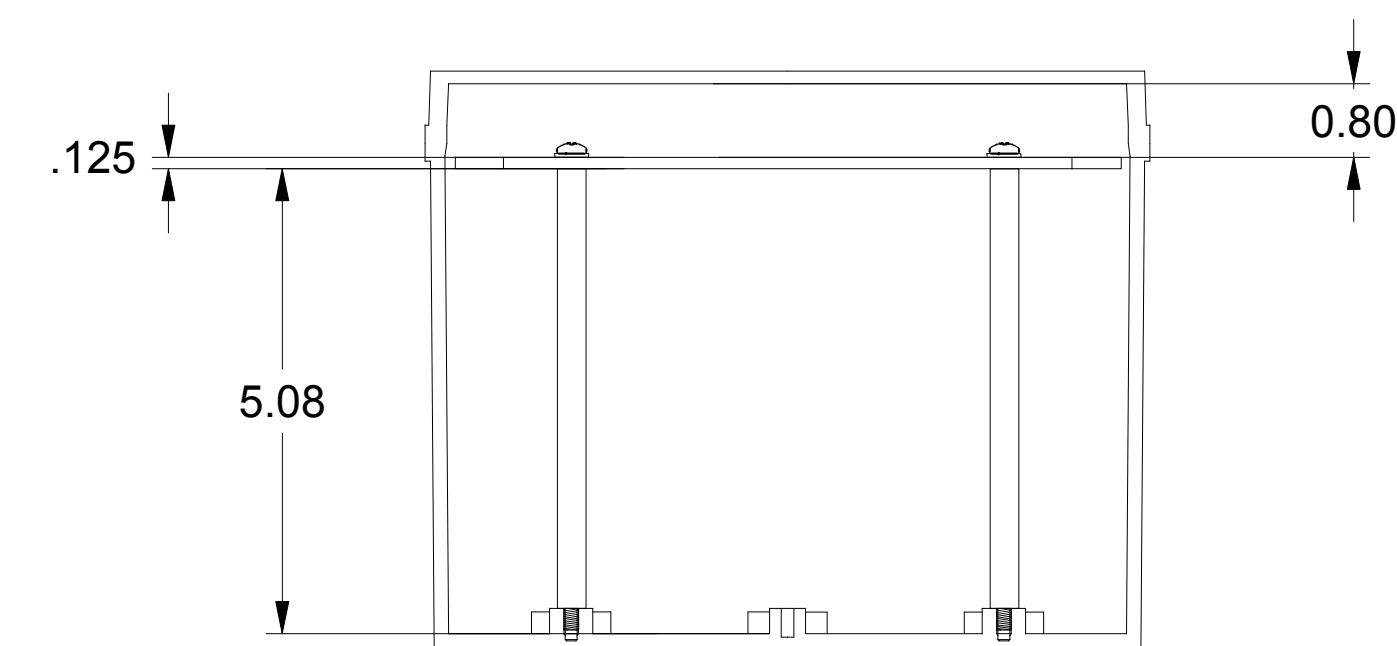
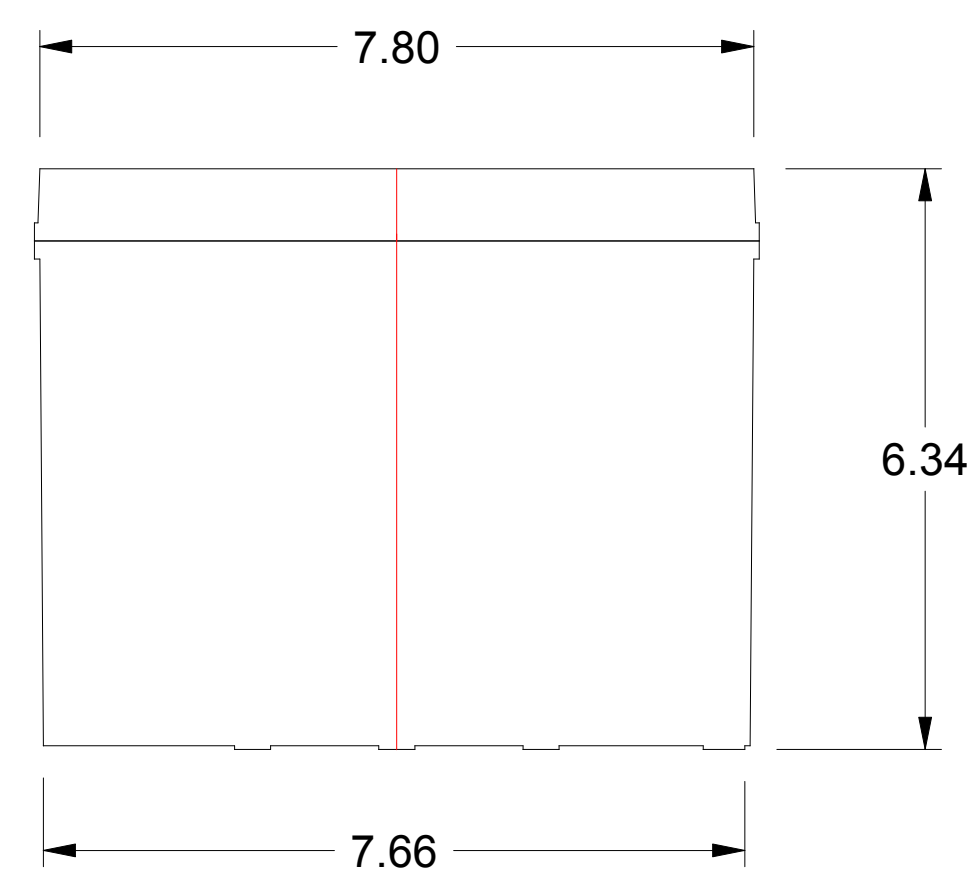
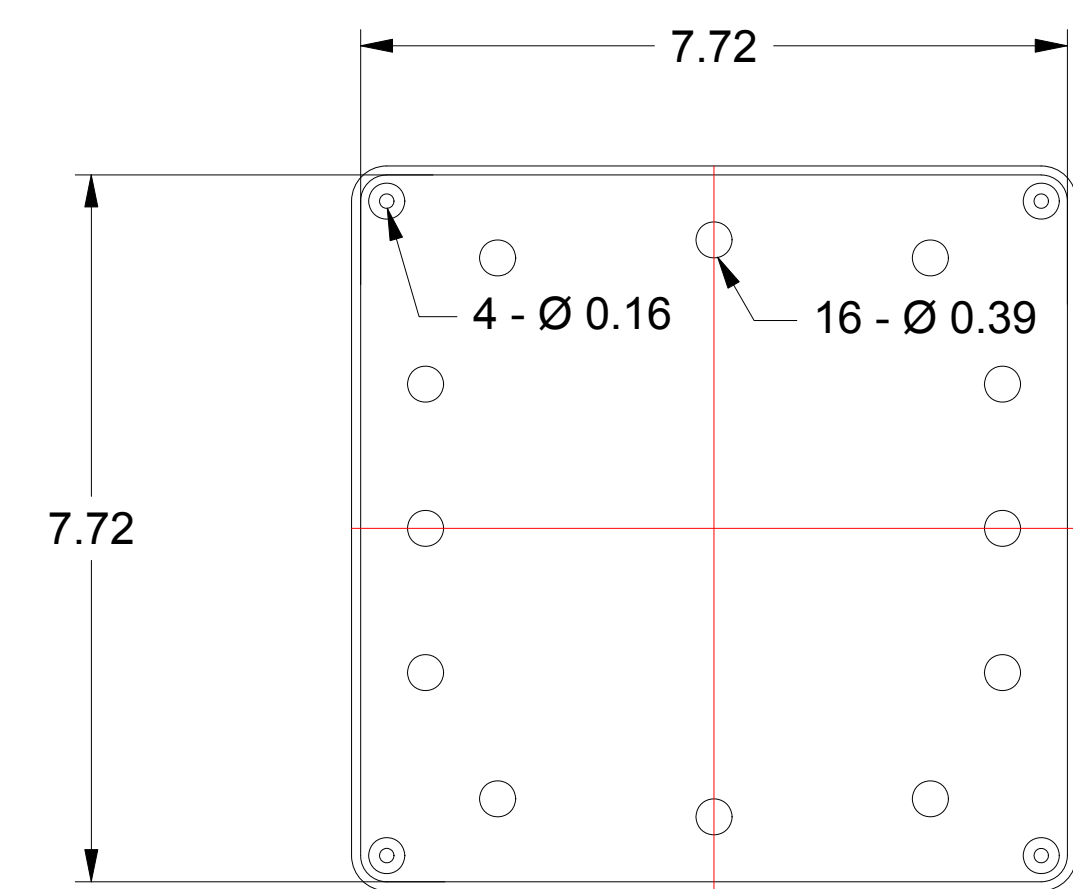
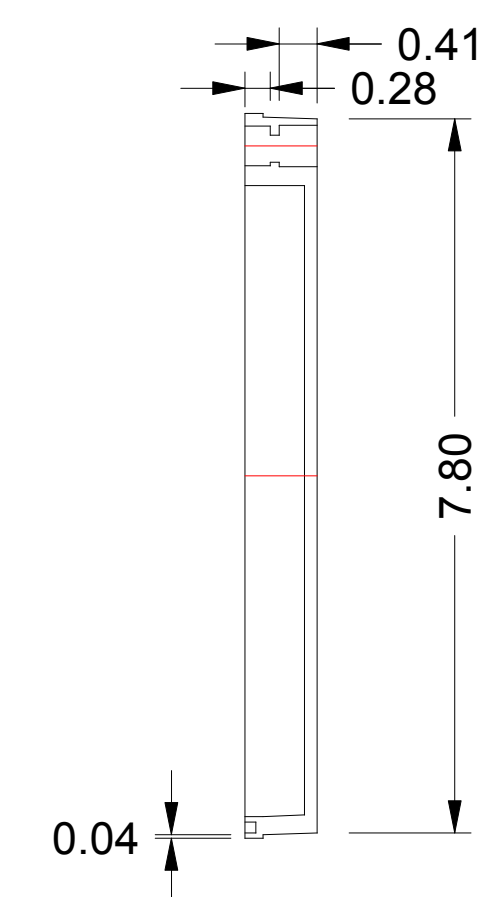
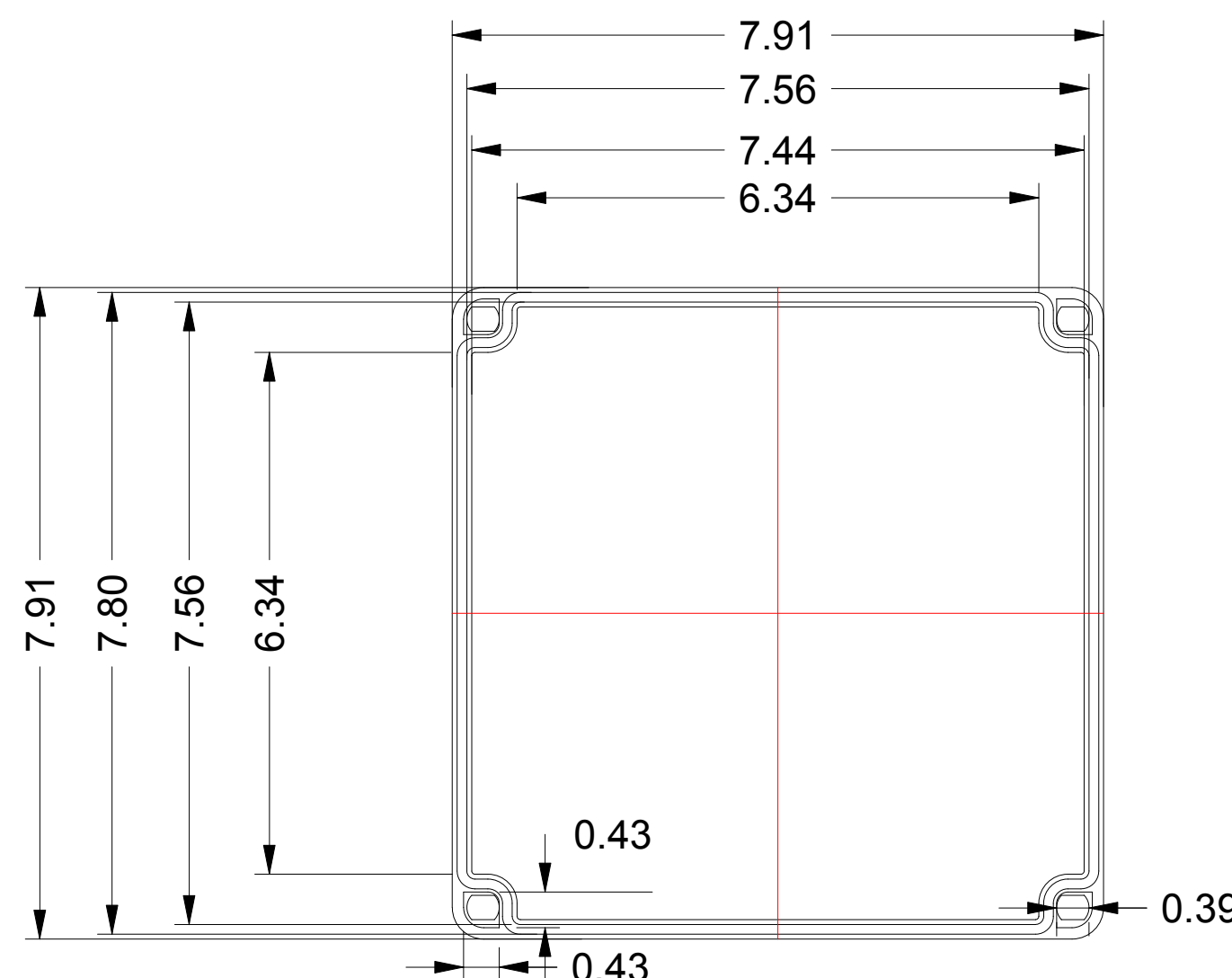


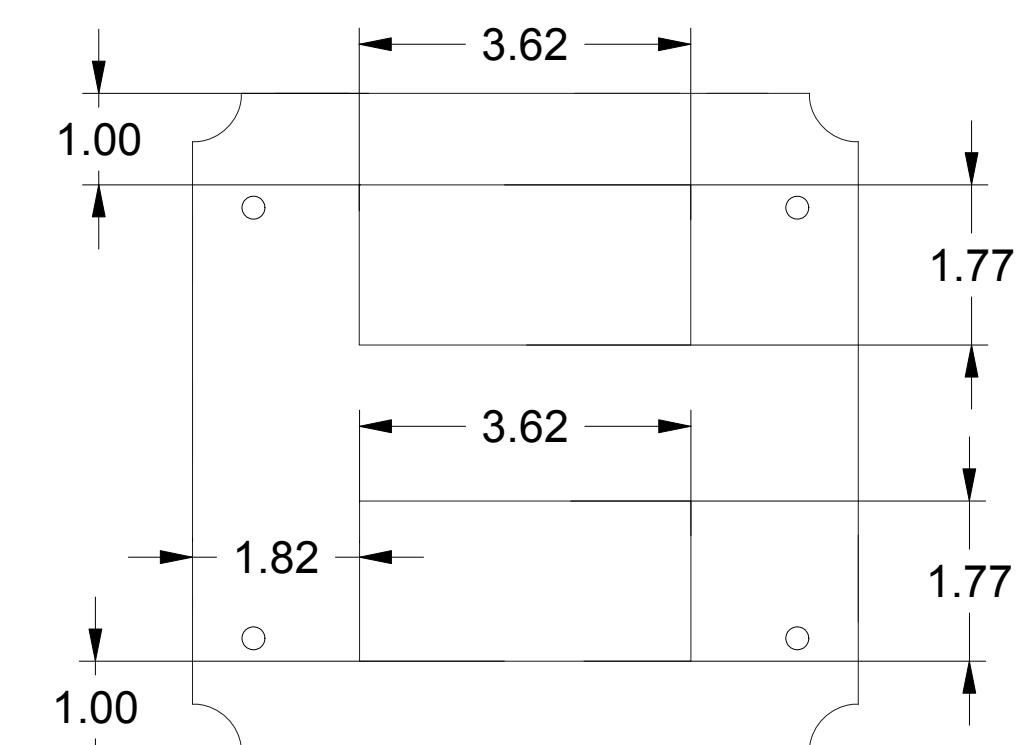
BODY



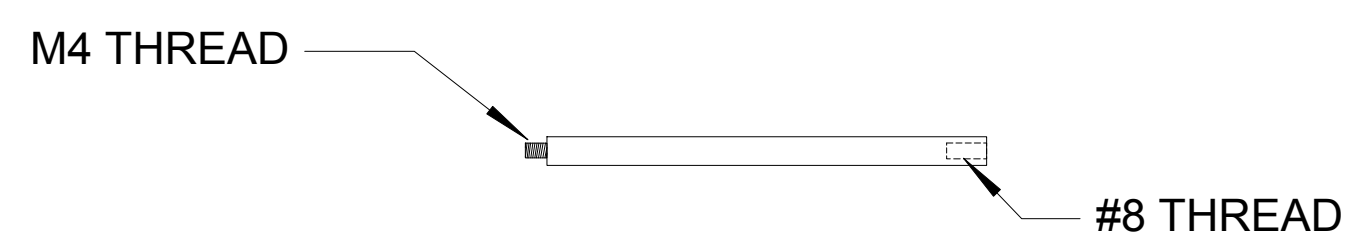
COVER



CUT-AWAY SIDE VIEW



MOUNTING PLATE



STAND-OFF



HARDWARE

BOTTOM VIEW

NOTES: ALL DIMENSIONS SHOWN ARE IN INCHES.

DRAWN
P. COLIN
02/01/2016

FLOWLINE, INC.

LOS ALAMITOS, CA 90720

**LM92-2002 ENCLOSURE
DRAWING FILE
301682 REV A**