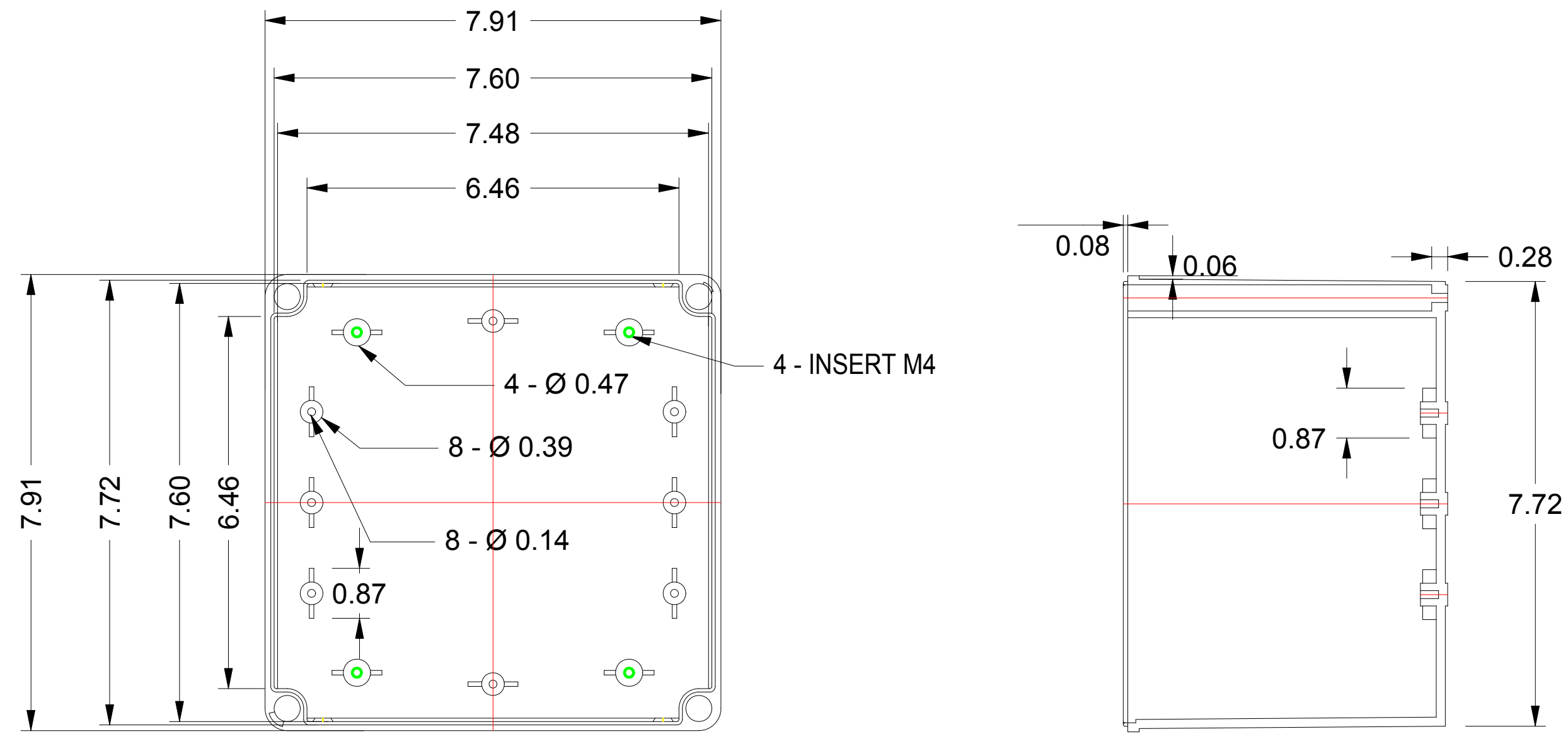
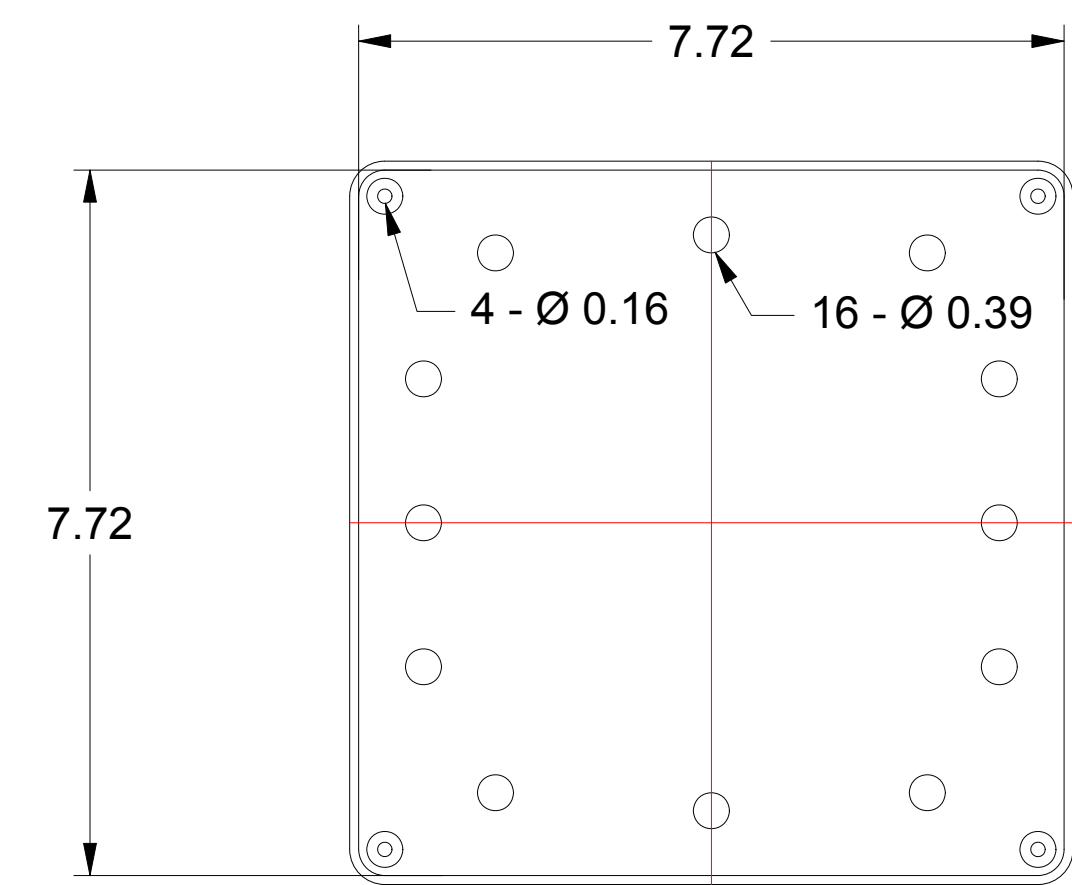
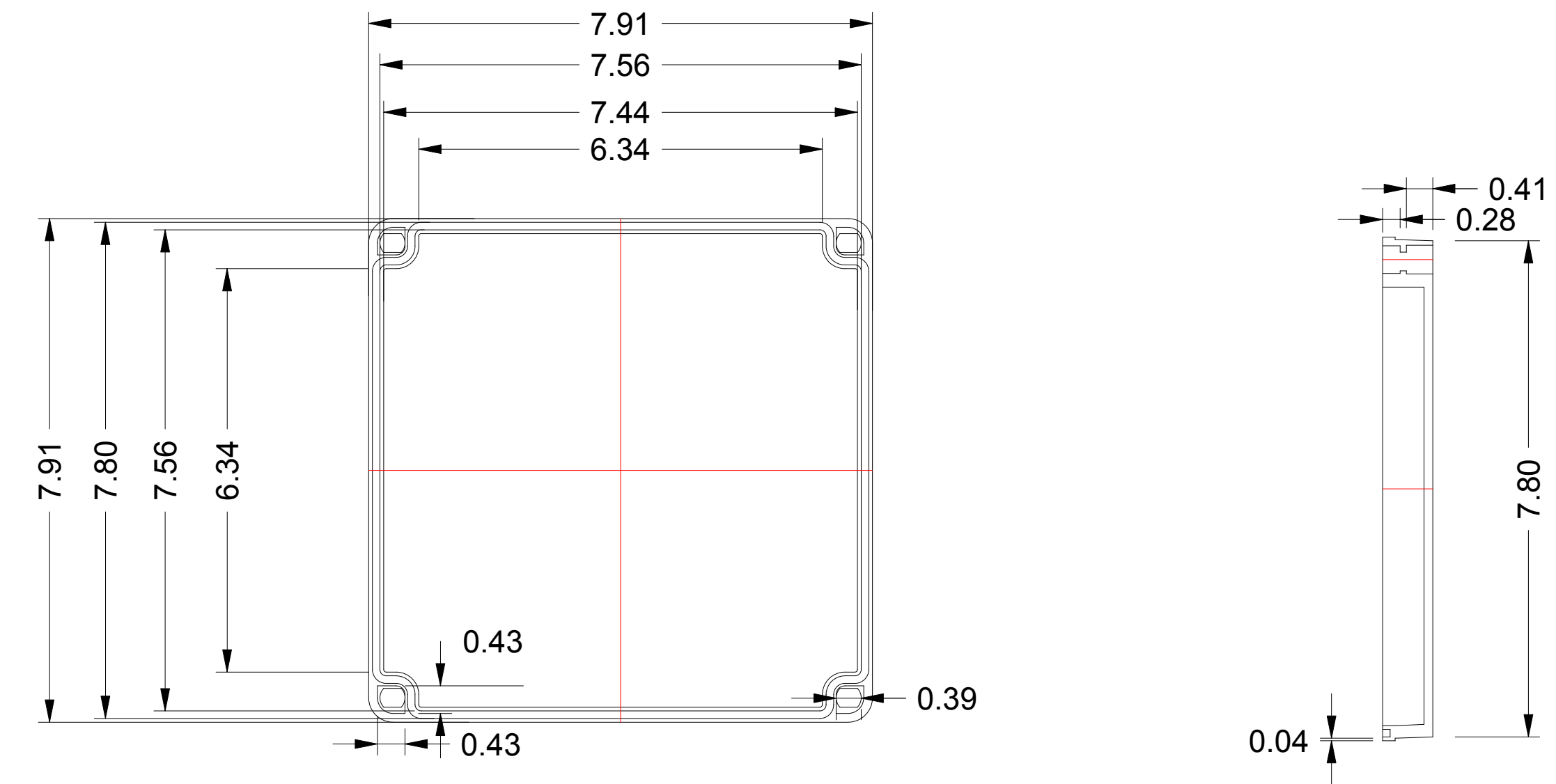


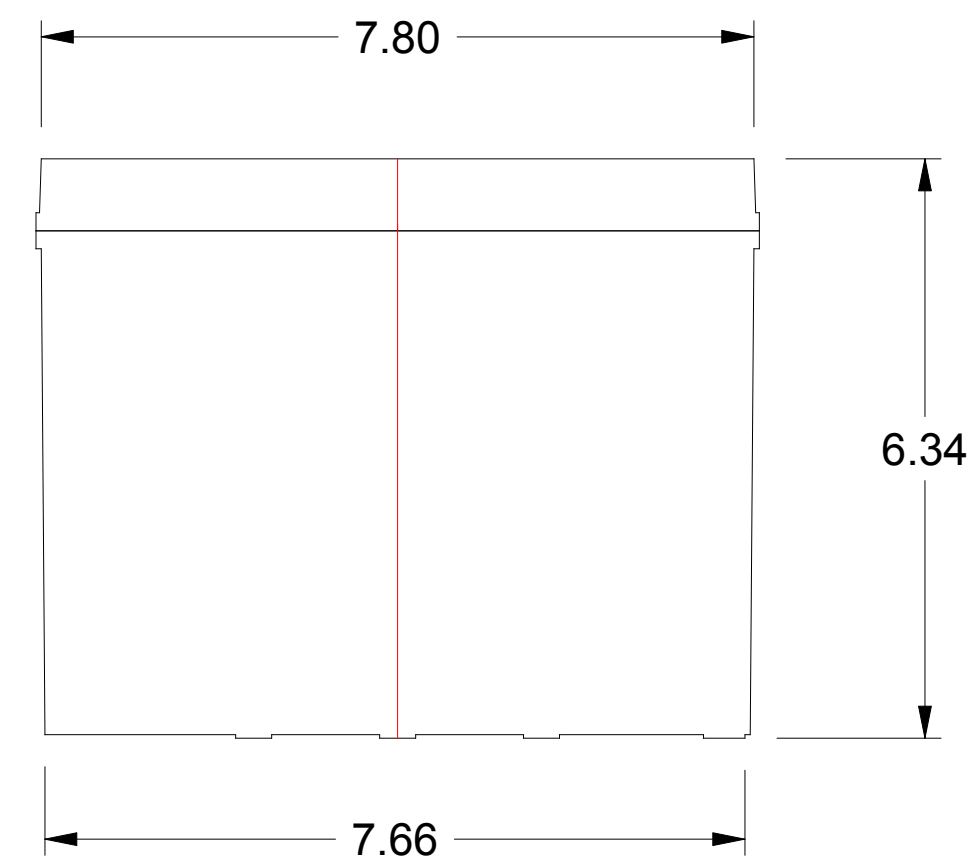
BODY



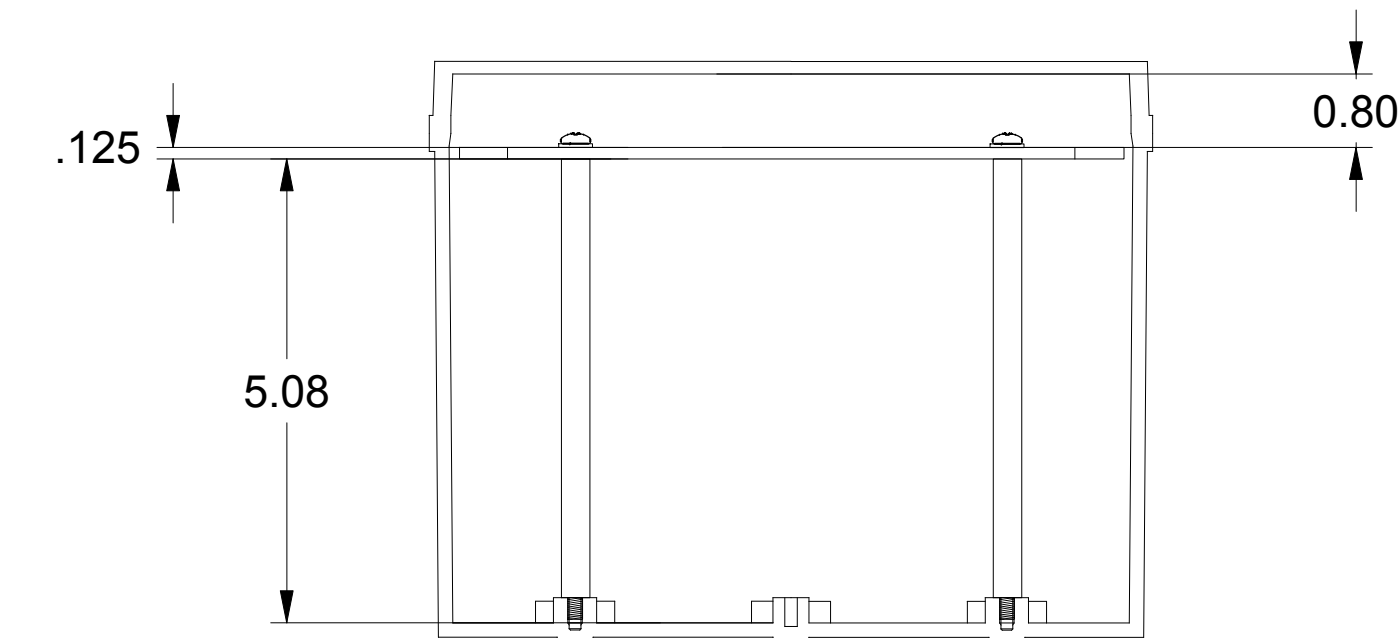
COVER



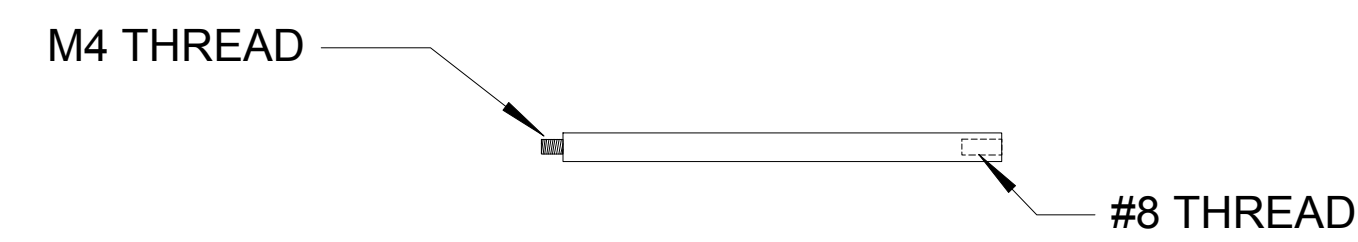
BOTTOM VIEW



ASSEMBLED SIDE VIEW



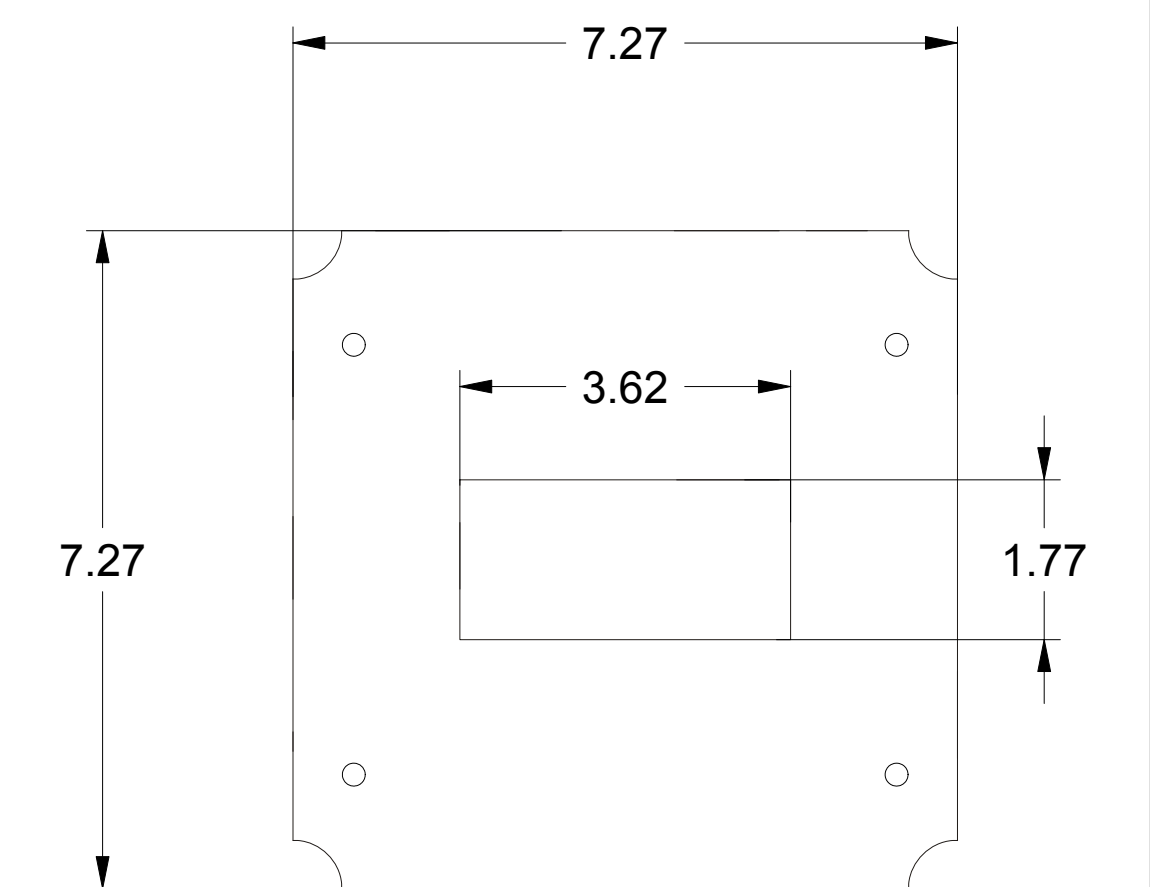
CUT-AWAY SIDE VIEW



STAND-OFF



HARDWARE



MOUNTING PLATE

NOTES: ALL DIMENSIONS SHOWN ARE IN INCHES.

FLOWLINE INC.

LOS ALAMITOS, CA 90720

**LM92-1002 ENCLOSURE
DRAWING FILE
301681 REV A**

DRAWN
P. Colin
02/01/2016

SCALE 1:2 | SIZE D (34 x 22) | SHEET 1 OF 1