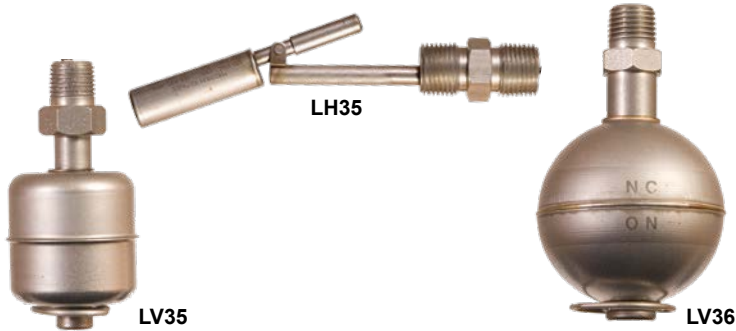


Application



Offered in both vertical and horizontal configurations, the general purpose high-temp float level switches provide reliable liquid level detection of relatively clean water, diluted chemicals and light weight oils with a 30VA or 100VA reed switch output. Media examples include hot deionized water and cooking oil. The stainless steel liquid level sensors are mounted vertically inside the tank or horizontally through the tank wall as a high level alarm or low level alarm.



Features

- ✓ 316 SS level sensor for high temp and pressure applications
- ✓ Dry contact reed switch selectable NO or NC via float orientation
- ✓ Offered in both vertical and horizontal mounting configurations for high or low level point detection

Key Benefits

- ✓ Simple level switch for high temperature/pressure applications
- ✓ Switches wire directly to a PLC/SCADA or controller
- ✓ Switches can be converted in the field from NO to NC

Compatible Products

Switch-Pro™ Remote Level Controller



Application

Available in general purpose classification, the level controller is offered in three configurations for pump and valve control. The LC40 accepts one level sensor input and provides one 10A relay. The LC41 accepts two level sensor inputs and provides one latching 10A relay for automatic fill or empty control. The LC42 accepts three level sensor inputs with one latching 10A relay output for automatic fill or empty control, and a second non-latching 10A relay for high level alarm or low level alarm. For field mount installation, add a single or dual indicator NEMA box.

Switch-Pro™ Compact Level Controller



Application

The general purpose level controller is offered in two configurations for pump and valve control. The LC10 accepts one level sensor input and provides one 16A relay for high level control or low level control. The LC11 accepts two level sensor inputs and provides one latching 16A relay for automatic fill or empty control. The optional flash alarm brings attention to level alarm conditions. Package this level controller with our liquid level switch sensors and fittings.

Specifications

Orientation: LV3X: ±20° vertical
 LH35: ±20° horizontal

Accuracy: ± 3mm in water

Repeatability: ± 1mm in water

Specific gravity: LV3X: 0.7 minimum
 LH35: 0.6 minimum

Contact type: (1) SPST reed

Contact rating: LX35: 30 VA
 LV36: 100 VA

Contact output: Selectable NO / NC

Process temp.: F: -40° to 392°
 C: -40° to 200°

Pressure: LV35: 300 psi (20.7 bar)
 LV36: 500 psi (34.5 bar)
 LH35: 300 psi (20.7 bar)

Sensor rating: NEMA 6 (IP68)

Sensor material: 316 SS

Wire jack. mat.: Polymeric

Wire type: 2-conductor

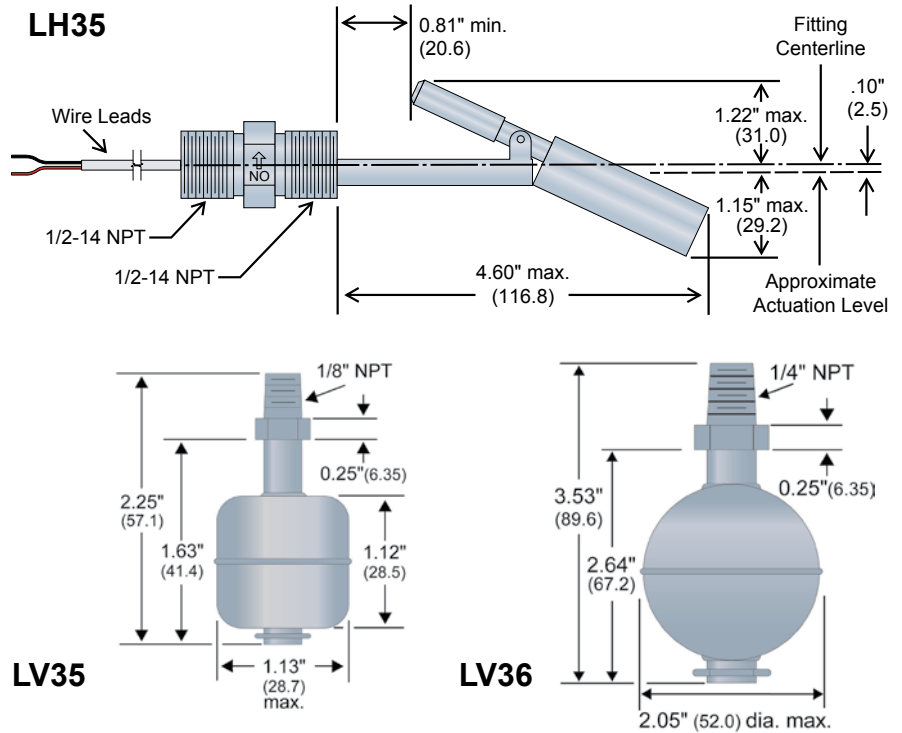
Wire length: 2' (61cm)

Process mount: LV35: 1/8" NPT
 LV36: 1/4" NPT
 LH35: 1/2" NPT

Classification: General purpose

Compliance: CE

Dimensions



Accessories

Protect your level controller from the elements by using the below recommended single or two indicator NEMA box.



P/N	Description
LM92-1202	Single & Two Controller NEMA Box Single Controller, Windowed, 35mm Rail, PC
LM92-2202	Two Controller, Windowed, 35mm Rail, PC

Ordering

Vertical

Maximum pressure (1)
 5 300 psi (20.7 bar)
 6 500 psi (34.5 bar)

LV3 -5201

Horizontal

Maximum pressure (1)
 5 500 psi (34.5 bar)

LH3 -5201

Notes

- The normally open or closed contact output is selectable based on the installed orientation of the float.