

## Application



The general purpose loop powered level indicator displays engineering units connected in series with one 4-20 mA continuous level transmitter. For field mount installation, add a single or two indicator NEMA box.



## Features

- ✓ Easy configuration via the push button display module
- ✓ LCD main display with secondary unit and bar graph display
- ✓ DIN enclosure with NEMA 4X faceplate and shallow case
- ✓ Linear, square root and programmable exponent functions
- ✓ Non-volatile memory with security password protection
- ✓ Windowed NEMA box accessory for field installations

## Key Benefits

- ✓ Simple display makes configuration easy
- ✓ Capable of displaying units in gallons, liters, inches, feet, meters, and percent of liquid
- ✓ Add 2 or 4 relays for direct control of pumps, valves or alarms
- ✓ Add repeater output to repeat input original to another PLC/SCADA or display

## Compatible Products

**EchoSonic®**  
Ultrasonic Level  
Transmitter



**EchoPod®**  
Ultrasonic Level  
Transmitter



**EchoSpan®**  
Ultrasonic Level  
Transmitter



**EchoTouch®**  
Ultrasonic Level  
Transmitter



**FloaTek™**  
Float Level  
Transmitter



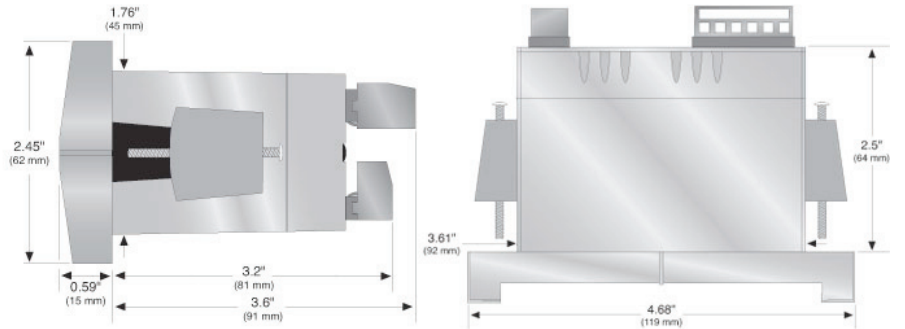
**DeltaSpan™**  
Pressure Level  
Transmitter



### Specifications

Display type:	LCD, 5-digit
Display units:	Engineering
Display output:	-9999 to 99999
Display height:	0.6" (15mm)
Decimal point:	Floating
Backlight:	LED, orange
Configuration:	Push button
Memory:	Non-volatile
Sensor input:	(1) 4-20 mA transmitter
Loop power:	12-30 VDC
Voltage drop:	2.0 VDC w/o backlight 5.7 VDC w/ backlight
Ambient temp.:	F: -40° to 149° C: -40° to 65°
Enclosure type:	1/8 DIN, panel mount
Enclosure rating:	NEMA 4X (IP65) faceplate
Enclosure mat'l:	Polycarbonate
Classification:	General purpose
Compliance:	CE

### Dimensions



### Accessories

Protect your level indicator from the elements by using the below recommended single or two indicator NEMA box. Add an LC95 power supply for installation flexibility.



**P/N**  
LM91-1001  
**Description**  
Single Indicator, Non-Windowed,  
1/8 DIN, Polycarbonate



LM91-2001  
Two Indicator, Non-Windowed,  
1/8 DIN, Polycarbonate

LM92-1001  
Single Indicator, Windowed,  
1/8 DIN, Polycarbonate

LM93-1001  
Two Indicator, Windowed,  
1/8 DIN, Polycarbonate



LC95-1001  
100-240 VAC, 24 VDC @ 0.45A,  
35mm Rail

### Ordering

**LI25-1001** <sub>(1) (2)</sub>

**Notes**

- 1) For field mount installation in a NEMA 4X polycarbonate box, order the LM91-1001 (single indicator, non-windowed) or LM91-2001 (two indicator, non-windowed); or LM92-1001 (single indicator, windowed) or LM93-1001 (two indicator, windowed) enclosure.
- 2) For battery powered level indication, order the LI25-1001-BO. Powered by two 9V batteries, the indicator comes pre-mounted in a LM92-1001 windowed NEMA box.