

# Switch-Pro™ with Compact Relay Controller

Switch-Pro A\_13-\_1\_\_ 0606 DS0\_2

## Specifications

Orientation:	± 20° horizontal
Supply voltage:	120/240 VAC @ 50-60 Hz.
Contact type:	(1) SPDT relay
Contact rating:	250 VAC @ 10A
Contact delay:	0-60 seconds
LED indication:	Power, relay and sensor status
Strobe type:	_11_: Xenon tube _12_: N/a
Strobe flash:	_11_: 1 per second _12_: N/a
Process temp.:	F: -40° to 194° C: -40° to 90°
Electronics temp.:	F: -40° to 140° C: -40° to 60°
Pressure:	AU13: 150 psi (10 bar) AZ13: 150 psi (10 bar)
Wetted material:	AU13: PP / PFA AZ13: PP-Ryton®
Process mount:	3/4" NPT (3/4" G)
Enclosure rating:	NEMA 4X (IP65)
Encl. material:	_11_: PP, UL94VO and polycarbonate _12_: PP, UL94VO
Conduit entrance:	Single, 1/2" NPT
Classification:	General purpose
CE compliance:	EN 50082-2 immunity EN 55011 emission EN 61010-1 safety



## Description

Installed through the side wall, this general purpose high or low level switch package includes a 10A compact relay controller for pump or valve actuation with an optional flash alarm. The product is typically selected for bulk storage, day tank and process vessel applications. Specify the appropriate sensor technology and material. The AC powered relay controller has a 10A relay, adjustable time delay, LED indicators and NO or NC invert switch. The NEMA 4X enclosure is made of UL approved fire retardant PP and features a 300° swivel base.

## Features

- ✓ PP, PVDF or PFA wetted material for challenging corrosive liquids
- ✓ Fail-safe relay control of pumps and valves with 0-60 second time delay
- ✓ Compact flash alarm indicates alarm status to on-site personnel
- ✓ Offered in 3 sensing technologies for broad application coverage



## Switch-Pro Ordering

A  13-  1

### Sensor technology (1)

- Z Vibration
- U Ultrasonic

### Wetted material (2)

- 1 PP
- 2 PFA

### Configuration (3) (4)

- 1 Controller with Strobe Alert
- 2 Controller only

### Process mount (5)

- 0 3/4" NPT (US)
- 4 3/4" G (Metric)

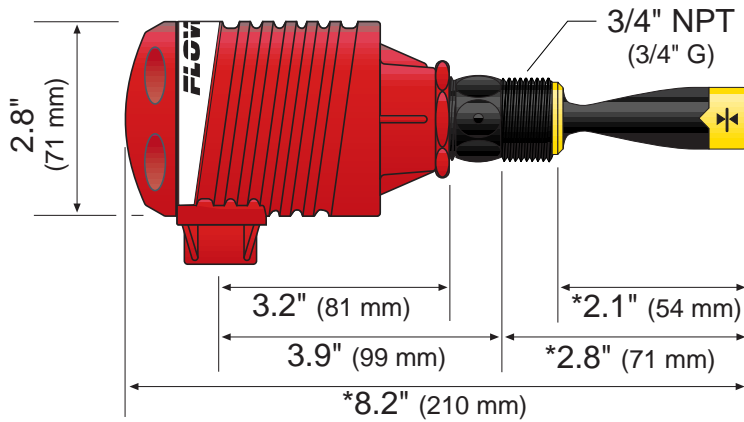
### Ordering Notes

- 1) Select the best sensor technology based upon your application.
- 2) The following are the available wetted materials for each sensor technology:  
Ultrasonic: 1 and 2 type  
Vibration: 1 type only
- 3) To factory configure for 240 VAC, place an E at the end of the P/N: (ie: AU13-1120-E).
- 4) To order the CE configuration, place CE at the end of the P/N: (ie: AU13-1120-CE).
- 5) The straight G thread version seals with an included Viton® mounting gasket.



# Switch-Pro™ with Compact Relay Controller

## Smart Trak Profile



Specifications are subject to change without notice.

## Sensors



### Vibration

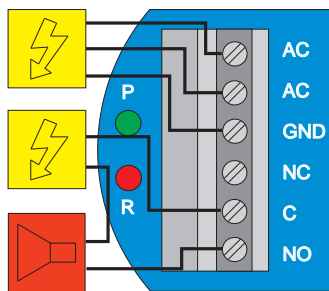
- Typically applied in wastewater media with light coating and/or foaming characteristics
- General purpose classification



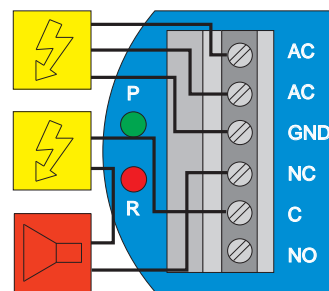
### Ultrasonic

- Broadly applied in chemical, solvent, hydrocarbon and light weight oil media
- Intrinsically safe classification

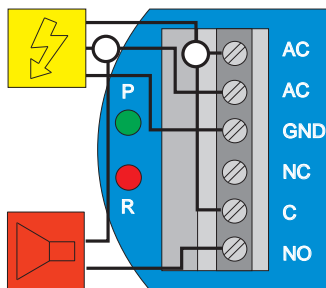
## Auto Empty Operation - Invert Off



## Auto Fill Operation - Invert Off



## Auto Empty Operation - Invert Off



## Auto Fill Operation - Invert Off

